

SUPPLEMENT

TO THE

NEW ZEALAND GAZETTE

OF

THURSDAY, FEBRUARY 6, 1908.

Published by Authority.

WELLINGTON, THURSDAY, FEBRUARY 6, 1908.

CONTENTS.

	Page
International and Intercolonial Arrangements for the Mutual Protection of Patents and Trade Marks ..	505
Patent Publications in New Zealand ..	506
Books and Documents open to Inspection at Patent Office, Wellington	506
Official Publications	507
Local Patent Offices	507
Applications for Letters Patent filed ..	507
Complete Specifications filed after Provisionals ..	508
Complete Specifications accepted	508
Provisional Specifications accepted	514
Letters Patent sealed	514
Letters Patent on which Fees have been paid ..	514
Subsequent Proprietors of Letters Patent registered ..	514
Application for Letters Patent withdrawn ..	514
Applications for Letters Patent abandoned ..	514
Applications for Letters Patent void	515
Applications for Letters Patent lapsed	515
Letters Patent void	515
Designs registered	515
Applications for Registration of Trade Marks ..	515
Applications for Trade Marks opposed	520
Trade Marks registered	520
Subsequent Proprietor of Trade Mark registered ..	520
Trade Mark Renewal Fees paid	520
Trade Marks removed from the Register	520
Notice <i>re</i> Advertisements	520
Quarterly List of Inventors*	521
Quarterly List of Inventions*	531
Quarterly List of Trade Marks Applicants* ..	541
Quarterly List of Designs Applicants*	544

International and Intercolonial Arrangements for the Mutual Protection of Patents and Trade Marks.

INTERNATIONAL CONVENTION.

THE following countries now belong to the Convention :—

- | | |
|--|--|
| Australia. | Italy. |
| Belgium. | Japan. |
| Brazil. | Mexico. |
| Ceylon. | New Zealand. |
| Cuba. | Norway. |
| Denmark and Faroe Islands. | Portugal, with the Azores and Madeira. |
| Dominican Republic. | Servia. |
| France, with Algeria and Colonies. | Spain. |
| Germany. | Sweden. |
| Great Britain. | Switzerland. |
| Holland, with East Indian Colonies, Curaçoa, and Surinam.* | Tunis. |
| | United States of America. |

* Trade marks only.

Separate arrangements have been made between Australia and New Zealand.

Particulars of the Convention and of such arrangements may be seen in the following *Gazettes* :—

Notification of adhesion of New Zealand to the Convention, with text thereof (in English), in the *Gazette* of 26th November, 1891; notification of adherence of New Zealand to the Additional Act of the Convention, with text (in English) of such Additional Act, in Patents Supplement to *Gazette* No. 101, of the 16th November, 1905; Order in Council applying section 103 of the Imperial Act to New Zealand, in *Gazette* No. 27, of the 15th May, 1890; Orders in Council containing arrangements between Australia and New Zealand, in Patent Supplements to the *Gazette* Nos. 22 of the 9th March, 1905, and 38 of the 20th April, 1905.

* Alphabetical lists for the preceding quarters of the year 1907 appear in *Gazettes* No. 36, of the 18th April, 1907; No. 65, of the 25th July, 1907; No. 93, of the 25th October, 1907.

Patent Publications in New Zealand.

THE following publications relating to Patents for inventions, &c., are open to inspection in the colony:—

WELLINGTON.—PATENT OFFICE LIBRARY.

United Kingdom.

The full text of the specifications and complete drawings of inventions patented from the year 1617 up to the 31st October, 1907.

Classified illustrated abridgments of inventions from 1855 to 1904 and part of 1905.

Illustrated Official Journal, containing lists of recent applications, abridgments of inventions for which patents have been lately granted, patents void, &c., to December, 1907.

Index of Applicants.

Subject-matter Index.

Commissioner of Patents Journal, &c.^(a).

Trade Marks Journal to November, 1907.

Canada.

Patent Office Record (containing illustrated abridgments of inventions, &c.) to September, 1907.

Australia.

The full text of the specifications and complete drawings in respect of applications accepted from the 11th January to the 1st March, 1907, inclusive.

The Official Journal of Patents of the Australian Commonwealth (containing lists of applications for letters patent, abridgments of complete specifications accepted, &c.).

The Australian Official Journal of Trade Marks (containing lists of applications for registration of trade marks, &c.).

Specifications, drawings, abridgments, and indexes of Victoria, New South Wales, Queensland, and South Australia^(b).

United States.

The full text of the specifications and drawings for the year 1905.

The Official Gazette of the United States Patent Office (containing illustrated abridgments of specifications, &c.) to November, 1907.

Mexico.

The Official Gazette of the Patent and Trade Mark Office.

General.

La Propriété Industrielle (the official organ of the International Bureau of the Union for the Protection of Industrial Property).

Patent laws of the world.

Patent and Trade Mark Review.

Text-books and handbooks on patents and trade marks.

AUCKLAND.—PUBLIC LIBRARY.

United Kingdom.

Classified abridgments of inventions from 1855 to 1904. Illustrated Official Journal from 1897 to date.

Canada.

Patent Office Record (containing illustrated abridgments of inventions, &c.) from 1897 to date.

Australia.

The Official Journal of Patents from 1905 to date.

United States.

The Official Gazette of the United States Patent Office (containing illustrated abridgments of specifications, &c.) from 1885 to 1887 and 1890 to 1895.

CHRISTCHURCH.—PUBLIC LIBRARY.

United Kingdom.

Classified abridgments of inventions from 1855 to 1904. Illustrated Official Journal from October, 1905, to date.

Canada.

Patent Office Record (containing illustrated abridgments of inventions, &c.) from 1897 to date.

Australia.

The Official Journal of Patents from 1905 to date.

^(a) Discontinued.

^(b) In arrears. Not now being printed.

DUNEDIN.—TOWN HALL.

United Kingdom.

Classified abridgments of inventions from 1855 to 1904. Illustrated Official Journal from October, 1905, to date.

Australia.

The Official Journal of Patents from 1905 to date.

Books and Documents open to Inspection at Patent Office, Wellington.

THE following documents and books are open to public inspection at the Patent Office:—

PATENTS.

(Fee for each search or inspection, not exceeding one hour, 1s.)

1. The files relating to all applications for letters patent in respect of which complete specifications have been accepted.
2. Classified copies of specifications and drawings, with index and key^(a).
3. Register of Applications for Letters Patent.
4. Register of Patents.
5. Register of Subsequent Proprietors of Letters Patent^(b).
6. Index of Patentees^(c).
7. Index of Proprietors of Letters Patent granted prior to 1890^(d).
8. Index of Specifications^(e).

DESIGNS.

(Search fee, 1s. each quarter of an hour.)

1. Register of Designs, with Index of Names of Proprietors.
2. Classified Representations of Designs in respect of which Copyright has expired.
3. Index of Designs.

TRADE MARKS.

(Search fee, 1s. each quarter of an hour.)

1. The files relating to all applications for registration of trade marks.
2. Register of Applications for Registration of Trade Marks.
3. Register of Trade Marks.
4. Index of Applicants for Registration of Trade Marks^(f).
5. Index of Trade Marks.
6. Classified Representations of Trade Marks, with indexes.

MISCELLANEOUS.

Register of Patent Agents.

FORMS AND PUBLICATIONS.

The following forms, &c., may be had on application at the Patent Office, Wellington, or at any of the local Patent Offices named below:—

Application for letters patent.

Provisional specification.

Complete specification and copy thereof.

Application for registration of design.

Application for registration of trade mark.

Applications for extension of time.

Requests by subsequent proprietor to enter name on Register of Patents and Trade Marks.

Printed sheets of information as to fees and procedure to obtain letters patent and to register a trade mark^(g).

Pamphlet containing Act and Regulations (price 1s.).

^(a) Key is in card index.

^(b) This Register contains only names of subsequent proprietors of letters patent granted prior to 1st January, 1890; since that date they appear in Register of Patents.

^(c) Includes all names of applicants, &c., and consists of four volumes to 4th November, 1903, and card index since that date. A separate card index is kept for current quarter.

^(d) The names of proprietors of subsequent letters patent appear in the Index of Patentees.

^(e) Contains classified abridgments of specifications from 1861, with extracts from drawings from July, 1904.

^(f) Names of applicants for registration and proprietors of trade marks are indexed at the beginning of the Registers up to 31st December, 1889; in separate volume up to 5th September, 1904; and since the latter date in card index.

^(g) May also be obtained at any local Patent Office or money-order office.

Official Publications.

THE following publications may be obtained from the Government Printer, Wellington:—

Printed specifications to the end of the year 1879.

Annual lists of letters patent and letters of registration applied for, and particulars of applications lapsed, and patents lapsed, from 1880 to 1888 inclusive.

Annual reports of the Registrar, containing alphabetical lists of applicants for letters patent and of inventions patented from 1889 to 1906 inclusive.

The Patents Supplement to *Gazette* (containing notifications, applications for letters patent, abridged descriptions and drawings of inventions, &c.), published fortnightly.

Local Patent Offices.

LOCAL Patent Offices for the reception of applications, supply of forms, &c., have been established at the following places:—

- Auckland—Supreme Court. (E. W. Cave, agent.)
- Thames—Courthouse. (J. Jordan, agent.)
- Gisborne—Courthouse. (G. J. A. Johnstone, agent.)
- New Plymouth—Courthouse. (W. A. D. Banks, agent.)
- Napier—Courthouse. (A. Trimble, agent.)
- Wanganui—Courthouse. (C. A. Barton, agent.)
- Nelson—Courthouse. (E. C. Kelling, agent.)
- Blenheim—Courthouse. (J. Terry, agent.)
- Westport—Courthouse. (O. E. Bowling, agent.)
- Greymouth—Courthouse. (B. Harper, agent.)
- Hokitika—Courthouse. (J. N. Nalder, agent.)
- Christchurch—Supreme Court. (W. W. Samson, agent.)
- Ashburton—Courthouse. (F. W. Hart, agent.)
- Timaru—Courthouse. (T. W. Taylor, agent.)
- Oamaru—Courthouse. (R. P. Ward, agent.)
- Dunedin—Supreme Court. (T. E. Roberts, agent.)
- Queenstown—Courthouse. (A. J. Thompson, agent.)
- Invercargill—Courthouse. (J. R. Colyer, agent.)

Applications for Letters Patent filed.

LIST of applications for Letters Patent filed. (Where a complete specification accompanies an application an asterisk is affixed; in all other cases a provisional specification has been lodged. In all cases where the applicant is not the inventor the name of the latter appears in italics after the title.)

- No. 23924.—18th January.—D. J. Whelan, Auckland, N.Z.
Four-wheeled tip-wagon.
- No. 23925.—21st January.—H. Quertier, Dunedin, N.Z.
Track-cleaner.
- No. 23926.—21st January.—D. Garner-Jones, Auckland, N.Z.
Folding-chair.
- No. 23927.—21st January.—D. G. Sutherland, Christchurch, N.Z.
Preventing cats from entering pigeon or dove houses.
- No. 23928.—21st January.—W. J. Harvey, Taihape, N.Z.
Tire.
- No. 23929.—23rd January.—B. W. Benn, Mirboo S., Vic.
Milking-machine.
- No. 23930.—23rd January.—T. C. Smart, Dudley, Eng.
Fender for hearth.*
- No. 23931.—23rd January.—M. Rosenthal, Berlin, Ger.
Heating-apparatus for rooms.*
(Date applied for under section 106 of the Act, 21st February, 1907.)
- No. 23932.—24th January.—J. Shields, Milton, N.Z.
Flax-treating machinery.
- No. 23933.—24th January.—G. Cummins, Marton, N.Z.
Operating presser-blocks of wool-presses.
- No. 23934.—21st January.—H. August, Invercargill, N.Z.
Wool-pack.
- No. 23935.—27th January.—I. R. Jensen and T. Jeffrey, Auckland, N.Z.
Flooring-composition.*
- No. 23936.—22nd January.—W. A. W. Nicol, Auckland, N.Z.
Repairing motor-cases for electric cars, &c.

- No. 23937.—23rd January.—G. Richardson, Auckland, N.Z.
Illusion apparatus.
- No. 23938.—23rd January.—E. V. Fulljames and G. W. Henderson, Auckland, N.Z.
Beer, &c., cooler.
- No. 23939.—24th January.—F. Sewell, Otahuhu, N.Z.
Increasing speed of propellers for marine vessels.
- No. 23940.—29th January.—C. Murnane, Melbourne, Vic.
Windmill.
- No. 23941.—29th January.—J. Stevens, Christchurch, N.Z.
Harness.
- No. 23942.—29th January.—C. Mills, Christchurch, N.Z.
Securing heads of hand-tools to handles.
- No. 23943.—29th January.—E. Coombs, Auburn, Vic.
Plaster ceiling.*
- No. 23944.—29th January.—D. E. Davis, Hastings, N.Z.; C. D. Lightband, Wellington, N.Z.; and S. H. Knight, Hastings, N.Z.
Tire-cover.
- No. 23945.—29th January.—C. H. Osborne, Burnley, Vic.
Vessels for containing liquids under pressure.
- No. 23946.—29th January.—J. J. Wilton, Masterton, N.Z.
Attaching wearing-strips to vehicle brake-blocks.
- No. 23947.—29th January.—W. I. Wilshire, Wellington, N.Z.
Candle-extinguisher.
- No. 23948.—28th January.—J. A. Milne and H. Morgan, Roxburgh, N.Z.
Natural-current turbine.
- No. 23949.—27th January.—D. Finnane, Auckland, N.Z.
Fuel.
- No. 23950.—27th January.—W. V. Page, Auckland, N.Z.
Attaching labels to fabrics.
- No. 23951.—30th January.—M. R. Green, Melbourne, Vic.
Preventing fraudulent refilling of bottles.
- No. 23952.—30th January.—S. Winn, Nelson, N.Z.
Bed-rest.
- No. 23953.—30th January.—J. Baillie, Palmerston North, N.Z.
Tile for boiler-furnace.*
- No. 23954.—28th January.—R. Millis, Dunedin, N.Z.
Speed-indicator for automobiles.
- No. 23955.—25th January.—T. R. Christie, Dunedin, N.Z.
Induct-vent for drainage purposes.*
- No. 23956.—31st January.—A. A. Stephenson, Wellington, N.Z.
Mixture for use with incandescent vapour light.
- No. 23957.—31st January.—I. R. Jensen, Auckland, N.Z.
Manufacture of artificial marble granite, &c.
- No. 23958.—31st January.—C. D. and A. G. Lightband, Wellington, N.Z.
Composition of matter.
- No. 23959.—28th January.—B. Crawford, Auckland, N.Z.
Fire-box and boiler for range.*
- No. 23960.—31st January.—T. Hall, New Plymouth, and F. Elvines, Wellington, N.Z.
Non-siltable metal-saving mat.
- No. 23961.—31st January.—J. N. McLean, Rotorua, N.Z.
Attaching roofing-iron to buildings.
- No. 23962.—30th January.—C. J. Swann, Wanganui, N.Z.
Wire-rope grip.
- No. 23963.—3rd February.—J. D. McLaurin, Pohangina, N.Z.
Baled-goods temperature-tester. (*W. Alexander*.)
- No. 23964.—31st January.—A. Slinger and R. Knox, Dunedin, N.Z.
Level fresh-air inlet for drainage.
- No. 23965.—30th January.—R. Millis, Dunedin, N.Z.
Sheet-delivery apparatus.
- No. 23966.—3rd February.—T. Beckett, Koputarua, N.Z.
Water-heater for steam-boiler.
- No. 23967.—3rd February.—C. H. Westneat, Napier, N.Z.
Temperature-indicator.*
- No. 23968.—1st February.—R. J. Roach, Dunedin, N.Z.
Safety spring catch.
- No. 23969.—1st February.—W. J. Roebuck and E. J. Thomson, Dunedin, N.Z.
Clamp for scaffolding.
- No. 23970.—5th February.—W. E. Hughes, Wellington, N.Z.
Linotype machine.* (*Linotype and Machinery, Limited—J. G. Holburns and H. A. Longhurst*.)
- No. 23971.—5th February.—B. Baruschke and G. M. Jenckel, Hamburg, Germany.
Process and apparatus to determinate animals and noxious insects.*

Complete Specifications filed after Provisionals.

LIST of complete specifications filed after provisional specifications, from the 21st January to the 3rd February, 1908, inclusive:—

- No. 22591.—R. B. Williams, umbrella.
 No. 22605.—G. E. Woodbury, ore-concentrator.
 No. 22775.—E. Hayes, lever apparatus.
 No. 22791.—E. L. Short and A. Pickford, bacterial filter.
 No. 22963.—W. S. Gardner, hinged boat-keel.

Notice of Acceptance of Complete Specifications.

Patent Office,
 Wellington, 5th February, 1908.

COMPLETE specifications relating to the undermentioned applications for Letters Patent have been accepted, and are open to public inspection at this office. Any person may, at any time within two months from the date of this *Gazette*, give me notice in writing of opposition to the grant of any such patent. Such notice must set forth the particular grounds of objection, and be in duplicate. A fee of 10s. is payable thereon.

No. 22437.—14th February, 1907.—JAMES SHENNAN KIRKPATRICK, of Pukekohe, Auckland, New Zealand, Station-master. Improvements in door or gate fastenings and the like.*

Claim.—In an adjustable right- or left-hand door or gate latch or fastener, the arrangement, construction, and combination of a one-sided cover with rims, the front and back rims being slotted, a horizontal bolt or bar with front inner side convex-shaped or bevelled loosely and pivotedly secured to said cover and sliding in said slots, two flat springs secured to the top and bottom rims adjusting screw plug and holes in cover for same, all for the purposes above set forth, substantially as described, and illustrated in the drawings.

(Specification, 2s. 6d. ; drawing, 1s.)

No. 22440.—18th February, 1907.—JOSEPH HENRY JAMES BOWATER, of Wanganui, New Zealand, Farmer. An improved combined tool for castrating and docking lambs and other animals.*

Claims.—(1.) In combined castrating and docking appliances of the nature herein described, forming the gripping-jaws with outward curves at the points where they come into contact, substantially as and for the purposes specified. (2.) A combined castrating and docking appliance constituted by a pair of pivoted jaws having handle extensions for operating them, each of which jaws is formed with an outward curve at the point where it comes into contact with the other jaw, and a knife-blade pivoted to the extremity of one of the handles, and adapted to open out longitudinally therewith or to fold in beneath the handle, substantially as specified.

(Specification, 2s. 6d. ; drawing, 1s.)

No. 22491.—28th February, 1907.—UNITED SHOE MACHINERY COMPANY, of Paterson, State of New Jersey, United States of America, a corporation duly organized under the laws of said State of New Jersey, carrying on business as Shoe-machinery Manufacturers at 205 Lincoln Street, Boston, Massachusetts, United States of America (the assignees of Albert Arthur Wadsworth, Machine-operator, and Frederick Shortland, Machinist, both of Rushden, Northamptonshire, England). Improved work-feeding and work-guiding mechanisms for shoe-machines.*

Extract from Specification.—A feature of the present invention contemplates the combination in a boot or shoe sole fastener-driving machine of a work-feeding device that comprises a work-feeder which engages the tread-face of the sole of a boot or shoe that is supported internally upon a horn or like device, with means to maintain the work-feeder in con-

tact with the sole, and means to automatically increase the pressure of the work-feeder upon the sole during the feed-stroke. The work-feeder may or may not be so formed as to guide the boot or shoe by the channel that in some classes of work is formed in the tread-face of the sole. The work-feeder may be maintained yieldingly in contact with the sole, and means may be provided to automatically vary by the reciprocating means or otherwise the said yielding pressure upon the sole during both the feed-stroke and return-stroke. The invention also comprises the combination with the reciprocating feeding-device hereinbefore described of a yieldingly-supported guide adapted to engage the upper adjacent to the sole of the shoe being operated upon. This yieldingly-supported guide may be employed in a machine in which there is a feed-wheel that engages the sole edge of the boot, and the said guide may be adapted to enshroud the feed-wheel and engage the feather of the boot when certain classes of work are being operated upon.

[NOTE.—The above extract from the specification is inserted in place of the claims.]

(Specification, 10s. 6d. ; drawing, 2s.)

No. 22498.—27th February, 1907.—ROWLAND EDGAR REED, of Convent Street, Oakleigh, Victoria, Australia, Professor of Music. Automatic music-turner.*

Extracts from Specification.—This invention has been devised for the purpose of providing an automatic music-leaf turner, which will turn over one or more sheets of music accurately and instantaneously, and which may be fitted to any description of music-stand. . . . In operation the music is placed in engagement with the clips 34. Each leaf of the music-book is then attached to one of the clips or clasps 14, the first leaf being held by the clasp attached to the highest arm 8, the second to the next lowest arm, and so on. When the musician wishes to turn a leaf over, by pressing on the finger-piece 28 the pawl 29 pushes the sliding-piece 18 down until the shield 19 disengages the top arm. This arm immediately springs across to the left-hand side of the frame, carrying with it the first leaf of the music. This operation continues until all the arms carrying the leaves have been released. To place the arms back to their former position the metal strip 30 is pushed down the groove 32 as far as possible. This action throws the pawl 29 out of engagement with the teeth. The sliding-piece is then pushed up along the groove until the shield 19 holds the arms 8 in position. In lieu of the centre clips 34 for holding the music an elastic band or bands may be passed through the centre of the music, being attached to the cross-piece 7 and the bottom piece 3.

[NOTE.—The above extracts from the specification are inserted in place of the claims.]

(Specification, 6s. 3d. ; drawing, 1s.)

No. 22549.—15th March, 1907.—ALFRED FALKNER, of Kaiparoro, New Zealand, Sawmiller. An improved construction of suspension bridge.*

Claims.—(1.) In bridges of the type described and having main suspension cables, the combination with such cables of a number of counterbracing cables each secured at one end to the cables at intervals in their lengths, and at the other end attached to the nearer abutment or tower, substantially as and for the purposes specified. (2.) In bridges of the type described and having main suspension cables, the combination with such cables of secondary cables secured at their ends to the respective abutments or towers and curved upwards above each main cable at the middle of the span, and struts and bracings connecting together the two cables on each side of the bridge, substantially as and for the purposes specified. (3.) In bridges of the type described and having main suspension cables, the combination with such cables of a number of counterbracing cables secured thereto at intervals in their length, and at their other ends to the nearer abutment or tower, secondary cables attached at their ends to the respective abutments or towers and curved upwards above the main cables at the middle of the span, and struts and bracing connecting together the two cables on each side of the bridge, substantially as and for the purposes specified.

(Specification, 4s. ; drawing, 1s.)

No. 22570.—20th March, 1907.—UNITED SHOE MACHINERY COMPANY, of Paterson, State of New Jersey, United States of America, a corporation duly organized under the laws of the said State of New Jersey, carrying on business as Shoemachinery Manufacturers at 205 Lincoln Street, Boston, Massachusetts, United States of America (the assignees of Charles Elmer Shattuck, of Nashua, Hillsboro, New Hampshire, United States of America, Foreman). Improvements in pounding-up machines.*

Extracts from Specification.—This invention relates to machines for use in the manufacture of shoes, and is shown as embodied in a machine for pounding-up and blocking a shoe. A feature of the invention consists in providing means for engaging the side of a shoe adjacent to the edge of the shoe-bottom, and means for actuating said engaging-means to rub the shoe-upper. In the preferred embodiment of the invention the engaging-means consists of a roller which is turned to rub the side of the shoe presented to it, whereby the upper material may be smoothed and polished, and wrinkles or inequalities, if any exist, in the upper may be obliterated. The roller may, if desired, be heated to enable it to "iron" the shoe. It is a common practice to smooth and polish a shoe after the several making operations have been substantially completed, but when the shoe reaches that stage the position of the sole makes it different and impractical to treat the upper at the edge of the shoe. The present invention is designed particularly for operating upon a shoe prior to the application of the sole, at which stage of the manufacture the upper at and adjacent to the edge of the shoe can be advantageously smoothed and ironed. Another feature of the invention consists in providing novel means for working toward the shoe-bottom the upper at and adjacent to the edge of the shoe. As shown, the smoothing-rollers are constructed and arranged to work the upper upwardly toward the edge of the shoe-bottom as they are turned in contact with the side of the shoe. To this end they may be provided with rubbing-faces moving upwardly toward the shoe-bottom as the rollers are turned—as, for example, rubbing-faces formed by spiral grooves in the acting faces of the rollers. . . . A further feature of this invention consists in providing novel means for ironing the several portions of the shoe, and in novel means for heating said ironing-means. These and other features of the invention, including a novel construction of blocking-hammer, together with certain details of construction and combinations of parts, will be more fully set forth in the description and pointed out in the claims.

[NOTE.—The above extracts from the specification are inserted in place of the claims.]

(Specification, 18s. ; drawing, 5s.)

No. 22655.—10th April, 1907.—JOSEPH BARTLETT DAVIES, of No. 330 Flinders Lane, Melbourne, Victoria, Australia, Accountant, and HARCOURT BELL, of 13 Sturt Street, South Melbourne, Victoria, Australia, Engineer. An improved machine for the manufacture of nails having enlarged or extended heads.*

Extracts from Specification.—This invention relates to a new and improved machine for forming enlarged or extended heads upon nails and the like, in which such enlargement or extension consists of a separate disc or washer. This invention refers more particularly to a machine for the manufacture of nails having dome or inverted-cup-shaped heads of sheet metal for use with corrugated iron. . . . The object of our invention is to provide a machine in which the operation of affixing the disc to the nail is mechanically effected, thereby producing a nail with an enlarged or extended head in a state fit for galvanising. We accomplish this object by providing a machine comprising three separate functions: (a) means for assembling and delivering the nails one at a time; (b) means for assembling and delivering the discs one at a time; (c) means for uniting the said individual nails and discs, and subjecting them to pressure between suitable dies. In the machine described there are six each of these respective functions (that is to say, six nails and six discs being fed at the same time), though the machine may be adapted for any convenient number. . . . At the bottom of the nail-races 26 is provided a series of gates 34 (one for each race) mounted upon a further reciprocating shaft 35. This reciprocating shaft 35 receives its cross motion from a vertical sliding plate 36, engaging a slot within the same and attached at its lower end to the beam 16. The sliding plate 36 is also of variable width, and, being wider at its upper end, the shaft 35 is moved to the furthest extent towards the left-hand side of the machine when the beam 16 is at its lowermost position. The gates 34 are made of peculiar shape,

having inclined extensions 37 upon their lowermost edge upon the left-hand side which engage the shanks of the nails and gradually bring them into a vertical position to insure that they are fed point foremost. These gates 34 are provided with recesses 38 which coincide with the lowermost end of each corresponding race 26 when the said gates 34 are moved across to the furthest extent upon the left-hand side. Immediately beneath each race 26 is provided a chute 39 having a tube 40 through which the nails pass point foremost. These tubes 40 leading from the chutes 39 discharge into inclined recesses 41 formed in covers 42 held upon a stationary cross-beam 43 by means of thumb-nuts 44. Within this cross-beam 43 are a series of vertical channels 45 within which work plungers 46 attached to the reciprocating cross-beam 16 by set screws 47, while at the bottom of each channel 45 is a pair of jaws 48 having springs 49. The recesses 41 are arranged at the side of the channels 45, and the nails pass therefrom into the said channels 45 as the plungers 46 rise, and are then driven through the jaws 48 as the said plungers 46 descend.

[NOTE.—The above extracts from the specification are inserted in place of the claims.]

(Specification £1 5s. ; drawing, 6s.)

No. 22912.—29th May, 1907.—THOMAS ROBSON, of Wellington, New Zealand, Joiner. An improved carpenter's-bench stop.*

Claims.—(1.) A stop for a carpenter's bench, consisting of a metal plate adapted to be fastened on the bench, a frame depending from the plate and passing down through the bench and having a horizontal member, a stop-bar passing longitudinally and vertically down through the plate and the bench, having a stop-piece at its upper end and a horizontal arm on its lower end, and a vertical threaded rod screwed through such horizontal arm, journaled at its bottom end in the horizontal member of the frame and projecting at its upper end through the bench and plate, substantially as specified. (2.) The general arrangement, construction, and combination of parts in my improved carpenter's-bench stop, substantially as described and explained, as illustrated in the drawings, and for the several purposes set forth.

(Specification, 3s. 6d. ; drawing, 1s.)

No. 22939.—4th June, 1907.—ALEXANDER GILLIES, of No. 2 Brown Street, Heidelberg, Victoria, Australia, Dairyman. An improved method of and means for pulsating teat-cups.*

Extracts from Specification.—This invention relates to pneumatic milking-apparatus, and consists of an improved method of and means for creating pulsations within double-chambered teat-cups for the purpose of causing the milk to be drawn from the teats in a natural manner, and without injury or pain to the animal. . . . This method of milking is accomplished by maintaining a constant suction in the outer chamber and alternately affecting a variable degree of suction within the inner chamber by means of temporarily substantially cutting off the connection between the source of suction-power and the milk-way, and at the same time permitting atmospheric air to enter the latter. By this means, when the inner chamber is distended the suction is temporarily reduced so that the teat is not distended as heretofore, but merely fills naturally, and consequently is not subjected to any strain, whilst when the suction is again admitted within the inner chamber its pressure is about equal to that in the outer chamber, and consequently said inner chamber resumes its natural shape, thus embracing the teat, but does not press inwardly below the point. The degree of suction within the inner chamber may be broken down from the maximum to nil when suitable means are provided for holding the cups on the teat, but when the suction is relied upon for this purpose it is not desirable to reduce the pressure to such a degree. Another advantage is that the cup will remain in position on the teat, and is, moreover, usable for teats of variable size without requiring adjustment. The milk-drive is obtained by admitting a small quantity of air to the interior of the inner chamber. The intermittent suction in the "milk-way" is effected by intermittingly connecting same with the suction power by means of valves, cocks, or the like, operated by any suitable mechanism, and as it is only necessary to overcome the small quantity of air admitted into the "milk-way," it will be apparent that this may be effected with a minimum of power, and consequently expensive and excessive machinery hitherto used in milking-plants are unnecessary. This is a distinct advantage over known pulsating-devices, as the in-

termittent admission of air-pressure into the outer chamber necessitated a considerable amount of power to afterwards remove it in order to produce the alternate suction. With this invention, when the suction is in communication with the inner chamber the small quantity of air admitted into the "milk-way" merely assists the discharge of the milk which is flowing from the teat at this time, and does not appreciably affect the degree of suction, but when the suction is temporarily substantially cut off from the inner chamber the air admitted at once reduces the degree of suction within the inner chamber, thus relieving the strain on the teat and allowing the inner lining to distend as before stated. If preferred, instead of using two separate tubes from the respective passages of the claw to the suction-supply one of said passages may be joined to the other or placed in communication therewith, and the suction would be connected by a single tube to the milk-passage, in which case a non-return valve is employed in the other passage to prevent the suction in the outer chamber being broken.

[NOTE.—The above extracts from the specification are inserted in place of the claims.]

(Specification, 14s. ; drawing, 2s.)

No. 23296.—13th August, 1907.—PATRICK MATTHEW KEPPEL, of Otakia, New Zealand, Flax-mill Manager. Improvements relating to flax-scutching apparatus.*

Claims.—(1.) The combination with a dry scutcher of a sheet of metal or other suitable material secured to the exit-end of the scutcher, and having a substantially V-shaped portion cut out thereof, substantially as and for the purposes set forth. (2.) The combination with a dry scutcher of a sheet of metal or other suitable material secured to the exit-end of the scutcher, and having a substantially V-shaped portion cut out thereof, and provided with canted triangular projections, substantially as and for the purposes set forth.

(Specification, 1s. 6d. ; drawing, 1s.)

No. 23328.—21st August, 1907.—FREDERICK RIDLEY DENNISON, of Oamaru, Otago, New Zealand, Mechanic. An improved spare wheel for motor-cars and the like.*

Extract from Specification.—According to my invention a rim constructed to carry a pneumatic tire in the ordinary way is provided with a laterally projecting ring, adapted to pass into or outside the rim of the defective wheel, or two rings may be used, one fitting inside and the other outside the rim, the edge of which thus lies in a groove. The spare rim is attached to the wheel by any suitable connecting means, and preferably by hooked bolts engaging the spokes of the defective wheel, and passing through ears and lugs integral with or secured to the conical rim.

[NOTE.—The above extract from the specification is inserted in place of the claims.]

(Specification, 3s. ; drawing, 1s.)

No. 23521.—23rd September, 1907.—CLARENCE MERTON CHAMBERLAIN, of Pueblo, Colorado, United States of America, Engineer. Improvements in extraction apparatus.

Claims.—(1.) An extraction apparatus comprising a vessel, superposed filter-beds therein dividing the same into compartments, and a common distributing chamber for said compartments. (2.) An extraction apparatus comprising a vessel, superposed filter-beds therein dividing the same into compartments, a common distributing chamber for said compartments, and inlet seals between the distributing chamber and said compartments. (3.) An extraction apparatus comprising a vessel, superposed filter-beds therein dividing the same into compartments, a common distributing chamber for said compartments, and separate outlets for the filtered liquid. (4.) An extraction apparatus, comprising a substantially liquid-tight vessel, means for inclining the same, superposed filter-beds dividing said vessel into compartments, and a common distributing chamber for said compartments. (5.) An extraction apparatus comprising a substantially liquid-tight vessel, means for inclining the same, superposed filter-beds dividing said vessel into compartments, a common distributing chamber for said compartments, and inlet seals between the distributing chamber and said compartments. (6.) An extraction apparatus comprising a vessel, a filter-bed therein, an inlet, and an inlet-seal between said inlet and filter-bed. (7.) An extrac-

tion apparatus comprising a substantially liquid-tight vessel, means for inclining the same, a filter-bed therein, an inlet, and an inlet-seal between said inlet and filter-bed.

(Specification, 3s. ; drawing, 1s.)

No. 23614.—17th October, 1907.—JAMES RICHARD MALLYON, of "Otterbourne," Yass, New South Wales, Australia, Station-manager. An improved apparatus for turning the leaves of music and other publications.*

Extracts from Specification.—This invention provides an improved apparatus intended primarily for use in turning the leaves of music. The apparatus is so designed that the leaves can at a slight touch of the operator's finger be turned from right to left, and from left to right, with ease and celerity, and either one at a time or all the leaves simultaneously. In operation the music-book is opened at the last sheet to be turned, and it is supported on the top flange (d) and on the back of the music-rest with the centre of the book opposite the pivot-pin (g) of the leaf-turning arms (f). The remaining leaves on the right of the book are secured in the ordinary manner to the music-rest. The first sheet on the left-hand side and last to be turned is then secured to the third or lowest turning-arm (f), and the second and first sheets to be turned are secured to their respective turning-arms by means of the clips (j). As the sheets are placed in their respective clips the arms (f) are turned from the left- to the right-hand side, leaving the first sheet exposed to view. The turning-arms (f) and consequently their attached sheets are turned in their proper order by striking the left side of the finger-operating pieces (l) of the levers (k) one at a time in their order downwards. If preferred, the leaves may be attached to the turning-arms (f) in the reverse order—that is to say, the topmost arm may be secured to the last sheet, and the bottom arm (f) to the first sheet to be turned. In this case the finger-pieces (l) would be operated in their order upwards. The sheets can be returned from the left- to the right-hand side simultaneously by pressing the right-hand side of the three levers (k) at the same time, by which means the operator at the end of a verse of a song is enabled to turn the sheets back to the commencement or first sheet very quickly.

[NOTE.—The above extract from the specification is inserted in place of the claims.]

(Specification, 6s. 9d. ; drawing, 1s.)

No. 23659.—29th October, 1907.—JAMES MITCHELL YOUNGSON, of Clinton, Otago, New Zealand, Farmer. Improved coupling-hook.*

Claims.—(1.) A coupling-hook approximately of the shape of the letter "C," having a gate swivelled upon its body portion adapted to pass between the opened ends of the loop, and a button pivoted upon said gate having ends projecting beyond the gate and adapted to pass into recesses in the opposite ends of the loop to retain the gate in position, substantially as specified. (2.) A coupling-hook consisting of the parts constructed, combined, arranged, and operating substantially as and for the purposes specified, and as illustrated in the drawings.

(Specification, 2s. 3d. ; drawing, 1s.)

No. 23740.—2nd January, 1907.—ALEXANDER LINARD, of 61, Curral Road, Elsternwick, Victoria, Australia, Mechanic. Improvements in cycle-pumps.

[NOTE.—This is an application under section 106 of the Act, the date given being the official date of the application in the Commonwealth of Australia.]

Claims.—(1.) In a cycle-pump, a removable dome-headed nozzle such as C, fitted with a centrally bored flexible core, preferably of rubber, such as B, (b), and projecting centrally; bored metal compressing-cap with diagonal or sloping top and neck such as A1, A2, (a), so as when connected to the piston-tube of a pump to form an angled pump, fitted, attached, and applied as described and as illustrated in Figs. 1 and 2. (2.) In a cycle-pump, a compressing metal cap with diagonal or sloped top such as A, A2, and neck such as (a), fitted and applied and used as described and illustrated. (3.) In a cycle-pump, a centrally bored flexible core, preferably of rubber, such as B, (b), fitted, applied, and used as described and as illustrated. (4.) As a cycle-pump and connections, the combination and arrangement of a straight piston-tube such as A, with a nozzle such as C, interior flexible core

such as B, (b), and metal compressing cap such as A1, A2, and bulb-shaped air-nipple such as D, connecting, fitted, applied, and used as described and as illustrated. (5.) As a cycle-pump and connections, the combination and arrangement with a curved piston-tube of a nozzle such as C, a centrally bored flexible core, preferably of rubber, such as B, (b), connecting, fitted, applied, and used as described and as illustrated.

(Specification, 3s. 6d.; drawing, 1s.)

No. 23743.—21st November, 1907.—THE LEWIS AUTOMATIC COUPLING COMPANY, LIMITED, a registered company of the State of New South Wales, Australia, having its office at No. 127 King Street, Sydney, New South Wales aforesaid (the assignees of Archer Lewis, of "Florence," Railway Terrace, Lewisham, near Sydney aforesaid, Railway Stores Clerk). Improvements in railway couplings.

Claims.—(1.) Improved railway couplings wherein a draw-hook has pivoted thereto a cradle supported by a radius bar or lever from a transverse or cross spindle underneath and in turn supporting a shackle adapted to engage with similar hook of a coterminous vehicle, substantially as described and explained. (2.) In railway couplings having the essential parts as set forth in the preceding claim, the combination with the draw-hook and cradle-supported coupling-shackle of a stop-bar on the cross spindle adapted to rest upon an angle of a depending lever, which in turn is adapted to be operated from thereunder by a pointer or thrust-bar from an approaching coterminous vehicle, substantially as described and explained. (3.) In railway couplings as set forth, the combination with the cradle-supported coupling-shackle and cross spindle of handles on said cross spindle, and catches and rests therefor, for the purposes set forth, substantially as described and explained. (4.) In railway couplings as set forth, the combination with draw-hook such as 5 having pivoted cradle such as 7, 8, and a pivoted shackle such as 10, of a supporting-lever such as 18, a cross spindle such as 13, hand-levers such as 14, catches such as 15, and rest such as 16, for the purposes set forth, substantially as described and explained and as illustrated in the drawings. (5.) In railway-couplings as set forth, the combination with draw-hook such as 5 having pivoted cradle such as 7, 8, and a shackle such as 10, of a supporting-lever such as 18 and a cross spindle such as 13, of a stop-bar such as 19, a depending spring lever such as 21, angle-rests such as 20, and tail such as 22, for the purposes set forth, substantially as described and explained and as illustrated in the drawings. (6.) The combination and arrangement together of the mechanical parts or integers for the respective purposes set forth, constituting an improved coupling for railway vehicles, substantially as described and explained and as illustrated in the drawings.

(Specification, 5s.; drawing, 2s.)

No. 23762.—26th November, 1907.—THE DEUTSCHE GAS-GLUHLICHT AKTIENGESELLSCHAFT, of Rotherstrasse 20-23, Berlin, German Empire, Manufacturers, a company duly incorporated according to German law (the assignees of Heinrich Sussmann, of Rotherstrasse 20-23, Berlin, German Empire, Engineer). Improvements in the manufacture of mantles for gas-lighting.

Claims.—(1.) In the manufacture of incandescent mantles for gas-lighting, precipitating the salt or salts with which the fibrous material is impregnated by means of an organic base or a mixture of organic bases, substantially as and for the purposes set forth. (2.) An incandescent mantle or material for the manufacture of incandescent mantles, manufactured as described.

(Specification, 5s.)

No. 23782.—4th December, 1907.—HERBERT MANSELL HARDY, of Miller Street, Unley, South Australia, Accountant. An improved method of, and means for, securing sash-cords, and constructional details connected therewith.

Claims.—(1.) An improved method of, and means for, securing sash-cords, consisting of attaching one end of the cord to the window-frame by means of a sliding clip which is accommodated in a suitable slide-carrier in a recess in the frame, said carrier being retained by a sliding cover or other form of locking-device. (2.) In an improved method of, and means for, securing sash-cords, a vertical slide-carrier

provided with grooved edges for the accommodation of a sliding clip, said carrier preferably extending horizontally along the top of the sash at right angles to its body portion, and being provided with grooved edges for the accommodation of a sliding cover or locking-plate. (3.) In an improved method of, and means for, securing sash-cords, a sliding clip designed to be accommodated within grooved edges of a slide-carrier as above claimed, and preferably terminating in a portion which is bent at right angles to the body part, so as to be retained in position by a sliding cover or other form of locking-device, said sliding clip being provided with notched edges or projections for gripping the sash-cord. (4.) In an improved method of, and means for, securing sash-cords, a sliding cover which works within suitable horizontal grooves, preferably formed in a horizontal extension of a slide-carrier. (5.) In an improved method of, and means for, securing sash-cords, the combination of a slide-carrier, a sliding clip having notched projections thereon, and a sliding cover for locking the sliding clip in place, substantially as described.

(Specification, 4s.; drawing, 1s.)

No. 23784.—4th December, 1907.—WILLIAM JOHN CROSSLLEY, of Crossley Brothers, Limited, Openshaw, Manchester, Lancaster, England, and THOMAS RIGBY, of The Square, Fairfield, Manchester aforesaid, Engineers. Improvements in and connected with the manufacture of producer-gas.

Extract from Specification.—This invention relates to improvements in and connected with the manufacture of producer-gas, and has for its object the manufacture of producer-gas free from tar, from fuels containing tarry matter, such as bituminous coal, lignite, peat, wood, &c. It is mainly intended for the gasification of bituminous coals, most of which cake hard together during the period the volatile matter is being expelled from them. As a consequence, when used in an ordinary gas-producer these caking coals are very difficult to work, as the caked fuel causes scaffolding and the formation of holes and cavities in the fuel-bed. According to this invention the fuel is spread as described in a layer on a grate or other suitable support, and the fuel is in the first place partially burned and subjected to heat, in such a manner that the volatile matter is expelled, and the tarry matters contained therein consumed, the resulting heat causing the volatile matter to be expelled from the fresh fuel as it is fed in. The air supplied for the combustion of the volatile matter given off from the fuel is termed the primary air-supply. The resultant from this first process consists mainly of carbon and ash, and when the fuel so treated is bituminous coal the product is a coke free from tar. This resultant, called coke, is according to our invention passed into a gas-producer arranged to receive it. The products of combustion of the volatile matter and primary air will usually be passed, either alone or in conjunction with an additional supply of air, through the hot fuel in the gas-producer. (This additional supply of air is referred to as the secondary air-supply.) In the result the gas produced is free from tar, and most of the heat of the volatile matter is recovered and utilised.

[NOTE.—The above extract from the specification is inserted in place of the claims.]

(Specification, 11s.; drawing, 2s.)

No. 23799.—7th December, 1907.—ROBERT CHARLES GARDINER, of Johnsonville, Wellington, New Zealand, Gasfitter. Improvements in incandescent gas-burners.

Claims.—(1.) In a burner of the class described, a conical base upon the burner having openings, a shutter slidable upon the base and provided with openings corresponding to the openings in the base, whereby the supply of air to the chimney may be regulated, substantially as set forth. (2.) In a burner of the class described, a tube integral with the burner, and a lower tube upon which the first tube telescopes, air being entirely excluded from these tubes, substantially as set forth. (3.) In a burner of the class described, the combination with a base and shutter as claimed in claim 1, of a lower tube as claimed in claim 2, substantially as set forth. (4.) The combination and arrangement of parts comprising the improvements in incandescent gas-burners, substantially as and for the purposes set forth, and illustrated in the drawing.

(Specification, 2s.; drawing, 1s.)

No. 23810.—11th December, 1907.—JOSEPH WILLIAM SUTTON, of 470 and 472 Ann Street, Petrie's Bight, Brisbane, Queensland, Australia, Engineer. Improved method of supplying pressure to oils for hydrocarbon and vaporised oil-lamps and for clarifying the oil used therewith.

Claim.—The method of supplying pressure to oils for hydrocarbon and vaporised oil-lamps and clarifying the oil used, by the injection of water under pressure into the storage cylinder, as described, and illustrated by drawings.

(Specification, 2s. 3d. ; drawing, 1s.)

No. 23812.—11th December, 1907.—DAVID ROBERTS, of Spittlegate Ironworks, Grantham, Lincolnshire, England, Engineer. Improvements in internal-combustion engines.

Claims.—(1.) In internal-combustion engines of the kind described, the provision of a passage at one side of the vaporiser, substantially as and for the purpose described. (2.) In internal-combustion engines of the kind described, the arrangement in a passage formed in one side of the vaporiser, of the air-inlet and exhaust-outlet valves, the said valves being directly opposite one another, substantially as described. (3.) Internal-combustion engines constructed, arranged, and operating substantially as described, and illustrated in the drawing.

(Specification, 3s. 6d. ; drawing, 1s.)

No. 23813.—11th December, 1907.—DAVID ROBERTS, of Spittlegate Ironworks, Grantham, Lincolnshire, England, Engineer. Improvements in internal-combustion engines.

Claims.—(1.) In internal-combustion engines of the kind described, the provision of an opening in the cold or water-jacketted part of the vaporiser adapted to act alternately as the air-inlet and exhaust-outlet, substantially as described. (2.) In internal-combustion engines of the kind described, the combination with an opening in the cold or water-jacketted part of the vaporiser of a sealing-valve, substantially as and for the purpose described. (3.) In internal-combustion engines of the kind described, the combination with an opening formed in the cold or water-jacketted part of the vaporiser, of sealing and deflecting valves, substantially as described. (4.) Internal-combustion engines having vaporisers and valves constructed, arranged, and operating substantially as described, and illustrated respectively in Figs. 1 and 2, 3, 4 and 5, 6 and 7, and 8 and 9 of the drawings.

(Specification, 5s. 6d. ; drawing, 3s.)

No. 23814.—11th December, 1907.—THE AMERICAN LINEN COMPANY, a corporation duly organized and existing under the laws of the State of Maine, and having its principal place of business at No. 152 Temple Street, New Haven, Connecticut, United States of America (the assignees of Clayton Guy Cooke, of said New Haven). Flax-machines.

Extract from Specification.—Referring to the drawings for a more particular description, the parts designated by the letters A and A¹ represent the bed and standard of the machine, and B a portion of the feed-tray. Mounted on the bed A, near the feed-tray B, is a pair of cylindrical feed-rollers 1 (Fig. 3). Near the feed-rollers is a pair of straight-fluted breaker-rolls 2, and beyond the breaker-rolls are two pairs 3-3 of spirally-fluted breaker-rolls. 4 designates a supplemental pair of straight-fluted breaker-rolls, and 10 the tables or trays between the various above-named pairs of rolls. The shaft 50 of the upper of each of said pairs of rolls is journalled in a journal-box 51 having a vertical sliding movement in a bearing 52, as shown more particularly in Fig. 12. In the bearing 52 is a vertical socket 53, containing a spring 54 adapted to bear on the upper side of the journal-box 51. A screw 55 is provided to vary the tension of the spring 54. By this means the upper row of each pair of breaker and feed rolls is capable of a limited movement to allow for the varying thicknesses of straw passing between the rolls, and to avoid injury to the machine from hard substances which are sometimes found in the straw. The rolls 1, 2, 3, and 4 are driven from a vertical shaft 6 by means of a bevel gearing 5 (Fig. 5) carried on the shaft of the lower of the pair of rolls 2. As shown in Fig. 1, the shaft of the roll 2 is provided on the other side of the machine with a pinion 7, which meshes with a pinion 56 on the shaft of the upper of the pair of rolls 2. The pinion 7 meshes also with gears 8 adapted to engage pinions 57 on the shafts of the lower rolls of the pairs 1 and 3, which pinions

57 in turn drive pinions 58 on the shafts of the upper of the pairs of rolls 1 and 3. By means of gearing 59 and pinions 60 and 61 the other rolls 3 are rotated. A further gear 62 and pinions 63 and 64 transmit the rotary movement of the shaft 6 to the rollers 4 in similar manner. The vertical shaft 6 is driven from a horizontal shaft 65, which is the main driving-shaft of the machine.

[NOTE.—The above extract from the specification is inserted in place of the claims.]

(Specification, £1 8s. ; drawing, 8s.)

No. 23815.—11th December, 1907.—ALBERT ZARRISKIE, of 141 Ward Street, Paterson, State of New Jersey, United States of America, Mechanical Engineer. Improvements in fibre-preparing machines.

Extract from Specification.—The general type of machine to which I have illustrated my improvements applied comprises two scutching-wheels 10, 11, located one after the other in the horizontal plane, and having their axes parallel but offset so that the peripheries of said wheels overlap when viewed axially, a pair of conveyor-chains 20, 22, for serving the first scutching-wheel 10, and a second pair of conveyor-chains 21, 23, offset horizontally from the first pair of chains, for taking the partly cleaned leaves from said first pair of chains and presenting the same to the action of the second scutching-wheel 11. The object of my improvements is to furnish a machine of the general class specified, simple in construction, and which may be operated with a relatively small expenditure of power and with a minimum waste of the fibre of the leaf. With these objects in view, I fix the first scutching-wheel 10 on a suitable shaft 12, and which shaft has its bearings at 14, 16, in frames 2, 3 respectively. Said shaft 12 is provided with a pulley 6 to which power may be supplied by means of a belt (not shown) directly from any suitable source of power. The second scutching-wheel 11 is fixed on shaft 13, mounted in bearings 15, 17, 19, in frames 3, 4, and rail 5 respectively. Said frames 2, 3, 4 are fixed to and are upstanding from bed-plate 9 of the machine, while rail 5 extends horizontally from frame 2 to frame 3, and is fixed thereto. Said shaft 13 is provided with a pulley 7 to which power may be supplied by means of a belt from any convenient source of power, such as that from which scutching-wheel 10 is driven. Said scutching-wheels 10, 11, are provided with beating-blades 100, 110, suitable for coaction with concave plates or shoes 30, 31, all respectively. As said shoes 30, 31 are duplicates, a description of one will suffice for both. Shoe 30 has the contour of its working-face throughout the major part of its length substantially concentric with the periphery of its scutching-wheel 10, but the upper part of the face of said shoe is of peculiar and novel contour. Heretofore, according to the best practice in this art, there has been a distinct line of demarkation of the beginning of engagement of the scutching-blade and shoe, whereby the action of removing the pulp of the leaf has been so abrupt and harsh as to cause a material and wasteful loss of fibre by breakage at said line of beginning of coaction of scutching-blade and shoe. Also, said distinct line of demarkation between cleaned and uncleaned leaf is a fruitful source of waste at the second scutching-wheel, as that wheel is thereby required to commence its work abruptly, thus causing injury to the fibre. In my improved machine I have eliminated these objectionable features by connecting the top edge 108 of shoe 30, said edge being relatively remote from the path of scutching-blades 100, with the concentric portion 109 of said shoe by a plane or curved surface 300, preferably tangent to said concentric portion 109, where it merges therewith. I thereby obtain a graduated opening as 105 between the face of the shoe 30 and the path of the operative edge of the scutching-blade.

[NOTE.—The above extract from the specification is inserted in place of the claims.]

(Specification, 14s. ; drawing, 3s.)

No. 23828.—13th December, 1907.—JAMES CLEGG, of Christchurch, New Zealand, Manufacturer. Improved construction of canopy for go-carts, perambulators, or the like.

Claims.—(1.) Means for the purpose described, comprising an arched frame having two side members pivoted at their bottom ends to the respective sides of the perambulator, go-cart, or the like, a second arched frame having two side members respectively pivoted to the side members of the first frame, such arched frames being adapted to carry a suitable cloth or covering secured across them, and an arm pivotally connected at its ends on each side of the frame to the respective side members of the arched frames, and formed with

a hinge at or near its middle, substantially as specified. (2.) Means for the purpose indicated, comprising an arched frame having two side members pivoted at their bottom ends to the respective sides of the perambulator, go-cart, or the like, a pair of arched frames each having two side members respectively pivoted to the respective side members of the main frame, arranged on opposite faces of such main frame, and an arm extending along each side of the frame and pivotally connected to the members of the three frames on such side, and formed with a hinge at or near its middle, substantially as specified. (3.) The improved construction of canopy-frame for perambulators, go-carts, or the like, substantially as described and explained, and as illustrated in Figs. 1 and 2 of the drawings. (4.) The improved construction of canopy-frame for perambulators, go-carts, or the like, substantially as described and explained, and as illustrated in Fig. 3 of the drawings.

(Specification, 3s. 9d. ; drawing, 1s.)

No. 23831.—16th December, 1907.—JAMES HUMPHREYS, Contractor, and WILLIAM WILLIS, Engineer, both of Napier, New Zealand. Improved means for preventing the entry of draughts, dust, or rain beneath doors.

Claims.—(1.) In means for the purpose indicated, a roller mounted within a channel formed along the bottom edge of the door, and capable of free lateral movement, in combination with a plate secured upon the door-sill H extending across the width thereof, and formed with a groove in its top surface into which the roller is adapted to fit when the door is closed, substantially as specified. (2.) In means for the purpose indicated, a channel formed along the bottom edge of the door, a roller fitting loosely within such channel, bearing-plates secured upon the respective side edges of the door, and a pin upon each plate projecting inwards into the hollow end of the roller adjacent to it, substantially as specified. (3.) The improved means for preventing the entry of draughts, dust, or rain beneath doors, substantially as described and explained, and as illustrated in the drawings.

(Specification, 3s. 3d. ; drawing, 1s.)

No. 23834.—14th December, 1907.—PATRICK SANSFIELD O'NEILL, of Kokiri, Greymouth, New Zealand, Sawmiller. Improvements in boiler-tubes and tube-plates.

Claims.—(1.) In tubular boilers, in combination with them, tapered tubes extending from the furnace tube-plate to the smokebox tube-plate, this plate being dished out, all substantially as described and as explained, and as illustrated in the drawing. (2.) In tubular boilers, in combination with them, tubes carrying fire and surrounded with water, having their smaller ends fixed to the furnace tube-plate and their larger ends fixed to the smokebox tube-plate, said tubes being of a regular taper from end to end, all substantially as set forth. (3.) In tube-boilers, the combination of tapered tubes with dished tube-plates, all substantially as set forth.

(Specification, 2s. ; drawing, 1s.)

No. 23837.—18th December, 1907.—JAMES THOMAS HUNTER, of Queen's Chambers, Wellington, New Zealand, Registered Patent Agent (the nominee of Linotype and Machinery Limited, of 188 and 189 Fleet Street, London, England—the assignees of Christian Augustus Albrecht, of 8 Paulstrasse, Berlin, Germany, Engineer; Frederick Gantzer, of Faunbrake Avenue, Lucknow, India, Superintendent; Carl W. Grasnick, of 26b Grosse Slenina, Quart 25, St. Petersburg, Russia, Compositor; Ferdinand John Wich, of Cumberland Hotel, St. Georges Street, Capetown, South Africa, Engineer; and John Ernest Billington, Engineer, Charles Holiwell, Engineer, John Henry Joy, Engineer, and Herbert Pearce, Engineer, of Linotype Machinery Works, Broadheath, Altrincham, Cheshire, England). Improvements in typographic composing and distributing machines.

Extracts from Specification.—This invention relates to improvements in typographic composing and distributing machines employing series of loose matrices, such machines, for instance, as those known as linotype machines, adapted to produce type-metal bars with printing-faces cast on one edge, and which are known as linotypes, and other machines adapted to cast logotypes and separable types. . . . 1 is the stationary frame of the machine; 2, the magazine; 3, one of the set of escapements pivoted upon either the frame 1 or upon some piece fixed thereto and independent of both

the magazine-supporting frame 4 and the magazine 2; 5, the transverse rod in the frame 1 on which the frame 4 turns when it is raised or lowered; 6, the transverse bar fast on the bottom face of the magazine 2 near its delivery-mouth, and 7 one of the notches in the frame 4 in which the said bar engages to hold the magazine on the said frame; 8, the cam on each side of the magazine 2 and fast on a shaft 9 turning in bearings in the frame 4; 10, a roller on the respective side of the frame 1 for the respective cam 8 to rest and turn on; 11, the hand-lever fast to each cam 8 for turning both of them simultaneously; 12, the hook at the outer end of each lever 11; 13, a transverse bar fast on the bottom face of the magazine 2 near its entrance-mouth, the two ends of the bar projecting laterally beyond the respective sides of the magazines to engage with the respective hook 12; 14, the top portion of the channelled guide-plate down which the matrices pass from the magazine to the assembling mechanism; 15, the distributor; 16, the channelled magazine entrance through which the matrices re-enter the magazine 2 after they have dropped from the distributor; 17, the axis pivoting it to the frame 4; and 18, a spring (one on each side of the machine) holding it in working position. 19, as shown best in dot-and-dash lines in Fig. 1, is a hollow in each of the levers 11, adapted to fit upon the respective roller 10, as shown in full lines in that figure. So long as the frame 4 and the magazine 2 are in the composing position the levers 11 are pointing to the rear as shown in full lines in Figs. 1 and 2, the hollows 19 in them resting on the rollers 10. When the operator wants to make a "change," he pulls both levers 11 to the front into the dot-and-dash position of Fig. 1. As the cams 8 roll on the rollers 10 their eccentricities raise the fronts of both the frame 4 and the magazine 2, thereby completely disengaging the latter from the set of escapements 3. The operator then lifts the front of the magazine till the bar 6 is clear of the notches 7, and pulls it to the front till the ends of the bar 13 come up to the hooks 12, whereupon he lets the magazine swing into a vertical position and then lifts it off the levers 11. The substitute one is then hung on to the levers 11 by the ends of its bar 13, pushed up the frame 4 till its bar 6 engages in the notches 7, and both levers 11 reversed, thereby lowering both frame 4 and substitute magazine into the composing position. All the parts and operations just enumerated are either present in the linotype machines of commerce or described in the specifications of improvements thereof.

[NOTE.—The above extracts from the specification are inserted in place of the claims.]

(Specification, £2 10s. ; drawing, £1.)

No. 23850.—18th December, 1907.—ROBERT MARSHALE SMITH, of Coal Creek Flat, New Zealand, Mine-manager. Improved detector of rise of temperature in goods.

Claims.—(1.) In detection of rise of temperature, pipes passing through goods liable to be affected, perforated where passing through the goods, with inspection-covers for detecting same, all substantially as set forth, and as shown on the drawing. (2.) In detecting moisture in goods, pipes laid through them so as to drain any moisture for inspection, said pipes perforated where they are in the goods, all substantially as set forth. (3.) In ventilating goods liable to heat or damp, pipes perforated where they pass between them for detecting these chances, but which could be used for forcing air through for ventilation, all substantially as set forth. (4.) In flooding goods that have heated or fired, pipes used normally for the detection of rise of temperature, passing through the goods, perforated where they pass through, but capable of receiving water or fire-extinguishing gas through them and delivering same to the goods through the perforations, all substantially as set forth.

(Specification, 2s. ; drawing, 1s.)

No. 23862.—24th December, 1907.—GEORGE CHARLES CHADWICK, of 47 Queen Street, Melbourne, Victoria, Australia, Agent. Improvements in or connected with apparatus for loading or unloading coals and other suitable materials into or from vessels, railway-trucks, barges, or other receptacles.

Claims.—(1.) In apparatus for loading or unloading coals and other suitable materials into or from vessels, railway-trucks, barges, or other receptacles, in combination, an elevator the lower portion of which is capable of being made to assume varying angles to the upper portion, an adjustably mounted boom or girder, a turntable from which the elevator is suspended, and conveyers and chutes for carrying and delivering the material discharged from the elevator,

substantially as and for the purposes set forth. (2.) In apparatus for loading or unloading coals and other suitable materials into or from vessels, railway-trucks, barges, or other receptacles, in combination, an elevator the lower portion of the frame of which is hinged or pivoted to the upper portion, an hydraulic motor for moving the lower portion to the required angle to the upper portion, a boom or girder mounted on a moving framework, means for elevating, tilting, and causing the boom to describe a circle in a horizontal plane, a swinging turntable by which the elevator is suspended mounted on wheels running on a track arranged on the boom, conveyers, chutes, and director-plates, and means for operating the elevator, conveyers, and turntable, substantially as and for the purposes set forth. (3.) The general combination and arrangement of the several parts to form apparatus for loading or unloading coals and other suitable materials into or from vessels, railway-trucks, barges, or other receptacles, substantially as described, and as illustrated in the drawings.

(Specification, 6s. ; drawing, 3s.)

An asterisk (*) denotes the complete specification of an invention for which a provisional specification has been already lodged.

NOTE.—The cost of copying the specification and drawing has been inserted after the notice of each application. An order for a copy or copies should be accompanied by a post-office order or postal note for the cost of copying.

The date of acceptance of each application is given after the number.

Extracts from the drawings accompanying the foregoing complete specifications appear at the end of this *Gazette*.

J. C. LEWIS,
Registrar.

Provisional Specifications accepted.

Patent Office,
Wellington, 5th February, 1908.

APPLICATIONS for Letters Patent, with provisional specifications, have been accepted as under:—

- No. 23216.—W. S. Pascoe and A. H. White, calendar and account-sheet.
 No. 23701.—A. McCorkindale, screw propeller.
 No. 23791.—F. Oakden, reinforced-concrete pole.
 No. 23793.—F. Tonks, chimney.
 No. 23794.—R. H. Skipwith, concrete flooring.
 No. 23795.—N. De Lautour, harness-fastening.
 No. 23798.—A. L. J. Tait, pot-cleaner.
 No. 23803.—R. H. Johnson, washing-board.
 No. 23804.—J. W. Mardon and J. G. Hudson, signal-wire adjuster.
 No. 23805.—J. McHalick, road-forming implement.
 No. 23808.—W. J. Dunlop, fire-grate.
 No. 23817.—R. Millis, fibre-preparation.
 No. 23829.—P. Browne, centrifugal machine.
 No. 23830.—F. Giblin, boiler-solution.
 No. 23838.—J. E. and E. H. Friend, turbine.
 No. 23844.—J. C. Drewet, fibre-treatment.
 No. 23847.—P. O. von Hartzitsch, trolley-pole retriever.
 No. 23873.—H. D. Mudie, gold-saving apparatus.
 No. 23875.—F. W. Cullimore, billiard-table.
 No. 23884.—B. W. Benn, milking-apparatus.
 No. 23892.—F. H. Trevellian, cash-register.
 No. 23893.—J. T. Muir, butter pounder and packer. (E. G. McDougall.)
 No. 23896.—A. H. Kortlang, farm-gate.
 No. 23899.—United Shoe Machinery Company, heel-build-machine. (W. R. Barclay and A. Bates.)
 No. 23915.—United Shoe Machinery Company, lasting-machine. (J. Cavanagh, jun.)

[NOTE.—Provisional specifications cannot be inspected, or their contents made known by this office in any way, until the complete specifications in connection therewith have been accepted.]

Letters Patent sealed.

LIST of Letters Patent sealed from the 23rd January to 3rd February, 1908, inclusive:—

- No. 21811.—R. W. E. MacIvor, ore-treatment.
 No. 21812.—The Imperial Fibres Syndicate, Limited, hemp-scatcher. (T. Burrows and W. H. Palmer.)
 No. 21910.—G. Gray, coulter-clamp.

- No. 21940.—J. A. Burfoot, pneumatic wheel.
 No. 21984.—W. and A. Ross, twine-reeling machine.
 No. 22040.—B. Boehm, R. Entz, and A. J. Rost, wire netting.
 No. 22370.—C. Martin, vehicle-seat.
 No. 22809.—Chipman, Limited, convertible vehicle. (C. Wesp.)
 No. 22811.—W. H. Hannam, water-heater.
 No. 22822.—G. Wade and E. C. White, brick.
 No. 22825.—G. Harker, fire-extinguisher, &c.
 No. 22984.—P. Borgnet, electrolytic apparatus.
 No. 23271.—J. C. Macmichael, ruler.
 No. 23338.—H. Lewis, waste-leather regenerating.

Letters Patent on which Fees have been paid.

[NOTE.—The dates are those of the payments.]

SECOND-TERM FEES.

- NO. 17425.—M. Moore and T. J. Heskett, treating iron-ore. 31st December, 1907.
 No. 17376.—G. Nelson, refrigerator. 23rd January, 1908.
 No. 17510.—W. Powell, paving-block. 27th January, 1908.
 No. 17842.—The Gröndal Kjellin Company, Limited, furnace. (Metallurgiska Patent Aktiebolaget—G. Gröndal.) 23rd January, 1908.
 No. 19257.—Consolidated Rubber Tire Company, rubber-tire manufacture. (A. S. Krotz.) 29th January, 1908.

THIRD-TERM FEES.

- No. 13308.—The Linotype Company, Limited, linotype machine. (E. Waters—The Linotype Company, Limited—W. H. Lock and F. J. Wich.) 27th January, 1908.
 No. 13331.—J. Jamison, tidal-power motor. 23rd January, 1908.
 No. 14479.—The Wilfley Ore Concentrator Syndicate, Limited, ore-concentrator. (A. R. Wilfley.) 23rd January, 1908.

Subsequent Proprietors of Letters Patent registered.

[NOTE.—The name of the patentee is given in brackets; the date is that of registration.]

- NO. 23525.—The Rogotire Non-puncture Pneumatic Tire Company, Limited, of Featherston Street, Wellington, in the Dominion of New Zealand. Puncture-stop composition. (L. H. Rogers and A. Myers.) 23rd January, 1908.

Application for Letters Patent withdrawn.

THE following application for Letters Patent has been withdrawn:—

- No. 22164.—F. B. Clapcott, cottage billiard-board (advertised in Supplement to *New Zealand Gazette*, No. 95, of the 31st October, 1907).

Applications for Letters Patent abandoned.

LIST of applications, with which provisional specifications only have been filed, abandoned (*i.e.*, complete specifications not lodged) from the 22nd January to the 5th February, 1908, inclusive:—

- No. 22581.—A. Storrle, vacuum milking-can.
 No. 22586.—J. and H. M. Copeland, telephony.
 No. 22587.—J. and H. M. Copeland, telephony.
 No. 22595.—F. H. Lampen, range-finder.
 No. 22596.—E. T. Coppell, lathe-chuck.
 No. 22597.—E. T. Coppell, calliper-replacing machine.
 No. 22600.—G. D. Lumsden, cooking utensil.
 No. 22601.—A. Rowland, motor-tire.
 No. 22604.—W. Jamieson, rotary engine.
 No. 22608.—R. R. Richmond and A. H. Byron, brick.
 No. 22609.—A. G. Andin, milking-machine.
 No. 22612.—E. S. Slee and P. Tremayne, road-refuse elevator, &c.
 No. 22616.—W. Alexander, temperature, &c., detector.
 No. 22618.—D. McKenzie, wire mattress and bedstead.
 No. 22619.—J. Sharpe, bottle for liquids under pressure.
 No. 22621.—R. R. Douglas, machinery-rollers.
 No. 22622.—H. Wilkenning, belt and conveyor fastening.

- No. 22627.—W. S. Cobham and H. H. Oxley, tip for chair-legs.
- No. 22631.—W. R. Taylor, sheep-feed box.
- No. 22685.—S. E. Bell, fuel-economiser.
- No. 22638.—R. Lowe, rotary maze.
- No. 22639.—E. G. McDougall, butter-dividing, &c., machine.
- No. 22643.—H. H. Kerr, teat-cup.
- No. 22644.—F. J. McDonald, bale-press.
- No. 22645.—A. E. Usherwood and W. H. Hanlon, engine-valve gear.

Applications for Letters Patent void.

APPLICATIONS for Letters Patent, with which complete specifications have been lodged, void owing to non-acceptance of such complete specifications from the 22nd January to the 5th February, 1908, inclusive:—

- No. 21952.—G. H. Hunter, butter-box. (R. H. Ellis.)
- No. 21980.—D. B. Hood and A. T. Blair, induced draught.
- No. 21987.—C. W. Peach, hinge.

Applications for Letters Patent lapsed.

APPLICATIONS for Letters Patent lapsed, owing to Letters Patent not being sealed, from the 23rd January to the 5th February, 1908, inclusive:—

- No. 21496.—C. K. Turner, swingle-tree-coupling.
- No. 21502.—R. G. A. Macdonald, typewriter and printing type.
- No. 21526.—R. E. Smallbone, J. Brown, and A. R. Morrison, knife-cleaner.
- No. 21531.—J. Hereus and W. Morton, turnip-thinner.
- No. 21541.—E. H. Browne, wire-strainer.
- No. 21543.—T. Mitchell, ship's hull.
- No. 21560.—A. Johnston, mop and scrubber.
- No. 21570.—J. Turnbull and R. L. Christie, poison-laying machine.

Letters Patent void.

LIST of Letters Patent void through non-payment of renewal fees, and through expiry of term of fourteen years, from the 22nd January to the 5th February, 1908, inclusive:—

THROUGH NON-PAYMENT OF SECOND-TERM FEES.

- No. 17128.—C. J. Tully, wheel-lock and rein-holder.
- No. 17129.—C. J. Tully, wheel-lock and rein-holder.
- No. 17132.—N. Bendixen, sterilisation of milk.
- No. 17134.—T. F. Dowling, actuating fire-alarm bells.
- No. 17149.—G. A. W. Alexander, washing-machine.
- No. 17150.—J. G. Patterson, coal-cutter.
- No. 17151.—Whitfields Foreign Patents, Limited, gas-manufacture. (W. Gunn—C. Whitfield.)
- No. 17155.—J. Moir, detecting and estimating gold in working cyanide-solutions.
- No. 17156.—E. G. Abell, sash-holder.
- No. 17157.—T. E. O'Brien, bottle.
- No. 17159.—G. Leach, cream-separator.
- No. 17165.—J. Anderson and J. D. Hunter, tare beam scales. (W. Riddell.)
- No. 17172.—W. J. O'Hara, wagon.
- No. 17189.—M. R. Green, non-refillable bottle.
- No. 17190.—J. A. Dahlqvist, liner for centrifugal separator.
- No. 17191.—W. J. and H. G. Cummings, R. Chamberlain, and J. W. Abernethy, passing lines under submerged vessels.
- No. 17192.—J. C. Bonneau, frame for stereotype matrices.
- No. 17247.—J. Wright, iron fencing-standard.
- No. 18648.—J. J. Ridgway, belt-conveyor.

THROUGH NON-PAYMENT OF THIRD-TERM FEES.

- No. 13093.—A. Campbell, refrigerating apparatus.
- No. 13098.—The Patent Adjustable Clump Sole Company Limited, sole for foot-wear. (A. S. Hartrick.)
- No. 13100.—The British Westinghouse Electric and Manufacturing Company, Limited, insulating-support. (G. Wright and C. Aalborg.)

No. 13103.—The British Westinghouse Electric and Manufacturing Company, Limited, distribution of electric current. (N. W. Storer.)

No. 13111.—B. Holben and W. Kirk, milk-can. (G. Smart and R. W. Ashcroft.)

No. 13113.—R. Turnbull, conveying electrical energy to dredge.

No. 13130.—D. J. Young, shower-bath.

THROUGH EXPIRY OF TERM.

No. 6638.—J. Greenslade, threshing-machine.

No. 6662.—A. Harvey, preserving tin or can.

Designs registered.

DESIGNS have been registered in the following names on the dates mentioned:—

Nos. 356 and 357.—The Carrara Ceiling Company, Limited, of Wellington South, in the Dominion of New Zealand, Patentees and Manufacturers of "Stuccolin" Work and Importers of Laths and Plaster. Class 3. 25th November, 1907.

No. 373.—Maude Wordsworth James, of Rydal Camp, Kalgoorlie, Western Australia. Class 2. 4th December, 1907.

Applications for Registration of Trade Marks.

Patent Office,
Wellington, 5th February, 1908.

APPLICATIONS for registration of the following Trade Marks have been received. Notice of opposition to the registration of any of these applications may be lodged at this office within two months of the date of this Gazette. Such notice must be in duplicate, and accompanied by a fee of £1.

No. of application: 6959.

Date: 3rd October, 1907.

TRADE MARK.



The essential particulars of the trade mark are the following—the combination of devices and the words "Mother Seigel's"; and applicants disclaim any right to the exclusive use of the added matter, except their name.

NAME.

A. J. WHITE, LIMITED, of 35 Farringdon Road, London, England, and of New York, United States of America, Manufacturing Chemists.

No. of class: 3.

Description of goods: Chemical substances prepared for use in medicine and pharmacy.

No. of application: 6960.

Date: 3rd October, 1907.

TRADE MARK.



The essential particulars of the trade mark are the following—the combination of devices and the words “Mother Seigel’s”; and applicants disclaim any right to the exclusive use of the added matter, except their name.

NAME.

A. J. WHITE, LIMITED, of 35 Farringdon Road, London, England, and of New York, United States of America, Manufacturing Chemists.

No. of class: 3.

Description of goods: Chemical substances prepared for use in medicine and pharmacy.

No. of application: 7082.

Date: 31st December, 1907.

TRADE MARK.



The essential particulars of this trade mark are the representation of the laundry iron and the word “Hy-Gloss”; and any right to the exclusive use of the added matter is disclaimed.

NAME.

GEORGE McCOLL LEE, of 150 Eye Street, in the City of Invercargill, in the Dominion of New Zealand, Laundry Manager.

No. of class: 47.

Description of goods: Preparation for laundry purposes.

No. of application: 7094.

Date: 11th January, 1908.

TRADE MARK.

The words

“WALK AWAY.”

NAME.

THE W. J. WOODS SHOE COMPANY, of Auckland, in the Dominion of New Zealand.

No. of class: 38.

Description of goods: Boots, shoes, and slippers.

No. of application: 7097.

Date: 14th January, 1908.

TRADE MARK.

The word

“VERMOCINE.”

NAME.

THE AGRICULTURAL AND PASTORAL FOOD COMPANY, LIMITED, of Davis Street, Wellington, in the Dominion of New Zealand.

No. of class: 2.

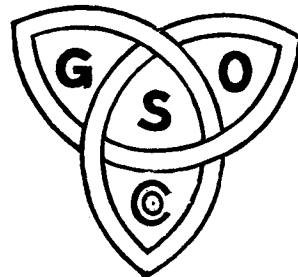
Description of goods: Cattle medicine.

No. of application: 7113.

Date: 15th January, 1908.

TRADE MARK.

TRIGRAM



NAME.

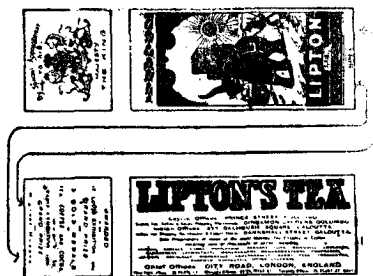
GALENA SIGNAL OIL COMPANY, a corporation organized under the laws of the Commonwealth of Pennsylvania, one of the United States of America, having its principal office in the City of Franklin, in said State of Pennsylvania.

No. of class: 47.

Description of goods: Illuminating and lubricating oils and greases.

No. of application : 7133.
Date : 16th January, 1908.

TRADE MARK.



The essential particular of the trade mark is the following—the distinctive label.

NAME.

LIPTON LIMITED, of City Road, London, England; Colombo, Ceylon; and Calcutta, India: Merchants.

No. of class : 42.
Description of goods : Tea.

No. of application : 7134.
Date : 16th January, 1908.

TRADE MARK.



The essential particular of the trade mark is as follows—the distinctive label.

NAME.

LIPTON LIMITED, of City Road, London, England; Colombo, Ceylon; and Calcutta, India: Merchants.

No. of class : 42.
Description of goods : Tea.

No. of application : 7136.
Date : 20th January, 1908.

TRADE MARK.

The word

“LUX.”

NAME.

HERBERT ENGELBERT, of Wellington, in the Dominion of New Zealand, Importer.

No. of class : 13.
Description of goods : Lamps.

No. of application : 7137.
Date : 20th January, 1908.

TRADE MARK.



The applicants claim that the said trade mark has been used by them in respect of the articles mentioned prior to the year 1890.

NAME.

HOYLES PRINTS, LIMITED, of Portland Street, Manchester, England, Calico-printers.

No. of class : 24.
Description of goods : Cotton piece-goods.

No. of application : 7143.
Date : 23rd January, 1908.

TRADE MARK.

The word

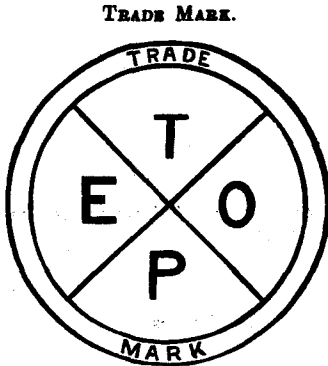
“WELDARINE.”

NAME.

The persons trading as “HENRY W. PEABODY AND Co.” at New York, in the United States of America; London, England; and Sydney, New South Wales, Commonwealth of Australia: Merchants.

No. of class : 1.
Description of goods : Compounds or compositions for use in brazing and welding.

No. of application : 7144.
Date : 23rd January, 1908.



The essential particular of this trade mark is the device bearing the letters "E.T.O.P."; and any right to the exclusive use of the words "Trade Mark" is disclaimed.

NAME.

THE UNBREAKABLE PULLEY AND MILL GEARING COMPANY, LIMITED, of Hyde Road Engineering Works, West Gorton, Manchester, England.

No. of class : 6.

Description of goods : Pulleys, adjustable hangers, pedestals, non-adjustable pedestals, pillar-brackets, cast-iron pulleys, wall boxes with pedestals, wall-bearings and other articles of like description.

No. of application : 7149.

Date : 28th January, 1908.

TRADE MARK.

The word

"SOVEREIGN."

NAME.

SMITH AND WHITE, of Auckland, in the Dominion of New Zealand, Ironfounders.

No. of class : 18.

Description of goods : Ranges, cooking-stoves, and grates.

No. of application : 7150.

Date : 28th January, 1908.

TRADE MARK.

The words

"THE DEFIANCE LEVER."

The essential particular of this trade mark is the word "Defiance"; and any right to the exclusive use of the added matter is disclaimed.

NAME.

JOHN HISLOP, of 74 Princes Street, Dunedin, in the Dominion of New Zealand, Watchmaker and Jeweller.

No. of class : 10.

Description of goods : Watches.

No. of application : 7152.
Date : 28th January, 1908.

TRADE MARK.



SILVER FERN.

NAME.

GEORGE MILNE, of High Street, Christchurch, in the Dominion of New Zealand.

No. of class : 22.

Description of goods : Bicycles.

No. of application : 7154.

Date : 29th January, 1908.

TRADE MARK.

The word

"SILVERDRAWN."

The applicants claim that the said trade mark has been in use by them in respect of the articles mentioned since about three years before the 1st January, 1890.

NAME.

BIDWELL, BIDWELL, AND CO., of Castle Mills, Axminster, England, Manufacturers.

No. of class : 50.

Description of goods : Tooth-brushes.

No. of application : 7155.

Date : 29th January, 1908.

TRADE MARK.

The word

"NOVENA."

NAME.

HELENA RUBINSTEIN, trading as "Helena Rubinstein and Co.," of 274 Collins Street, Melbourne, Victoria, Commonwealth of Australia, Importer.

No. of class : 48.

Description of goods : All goods included in this class.

(NOTE.—Class 48 is for "Perfumery (including toilet articles, preparations for the teeth and hair, and perfumed soap)."]

No. of application: 7156.
Date: 28th January, 1908

TRADE MARK.

(The mark as shown in preceding notice, No. 7152.)

NAME.

GEORGE MILNE, of High Street, Christchurch, in the Dominion of New Zealand.

No. of class: 50.

Description of goods: Celluloid gear-cases, &c.; celluloid pumps; bicycle outfits for repairing tires; celluloid mudguards.

No. of application: 7157.
Date: 30th January, 1908.

TRADE MARK.



NAME.

THE CHLORIDE ELECTRICAL STORAGE COMPANY, LIMITED, of Clifton Junction, near Manchester, England, Manufacturers.

No. of class: 8.
Description of goods: Electric accumulators.

No. of application: 7158.
Date: 31st January, 1908.

TRADE MARK.



NAME.
WALTER TAINE, trading as "Taine's Chemical Stores Company," Manufacturers, of Crawford Street, Dunedin, in the Dominion of New Zealand.

No. of class: 3.

Description of goods: Medicines, medicated articles, and chemical substances prepared for use in medicine and pharmacy.

No. of application: 7159.
Date: 31st January, 1908.

TRADE MARK.

(The mark as shown in preceding notice, No. 7158.)

NAME.

WALTER TAINE, trading as "Taine's Chemical Stores Company, Manufacturers, of Crawford Street, Dunedin, in the Dominion of New Zealand.

No. of class: 42.

Description of goods: Tomato sauce, culinary herbs, essences, vinegar, spices, pepper, sauces, chutneys, pickles, jams, curry.

No. of application: 7160.
Date: 31st January, 1908.

TRADE MARK.

(The mark as shown in preceding notice No. 7158.)

NAME.

WALTER TAINE, trading as "Taine's Chemical Stores Company," Manufacturers, of Crawford Street, Dunedin, in the Dominion of New Zealand.

No. of class: 47.

Description of goods: Benzine, washing-powders, starch, laundry blue, methylated spirits, ammonia for household use, and cloudy ammonia (detergents).

No. of application: 7161.
Date: 31st January, 1908.

TRADE MARK.

(The mark as shown in preceding notice No. 7158.)

NAME.

WALTER TAINE, trading as "Taine's Chemical Stores Company," Manufacturers, of Crawford Street, Dunedin, in the Dominion of New Zealand.

No. of class: 50.

Description of goods: Linoleum-renewer, furniture-polish, and other household requirements not included in other classifications.

No. of application: 7162.
Date: 31st January, 1908.

TRADE MARK.
The word
"SUDSO."

NAME.

ROBERT REID, of Aramoho, in the Dominion of New Zealand, Butcher, trading as "The Sudso Company of New Zealand."

No. of class: 47.
Description of goods: A liquid washing-soap.

J. C. LEWIS,
Registrar.

Applications for Trade Marks opposed.

NOTICES of opposition have been filed in the following cases:—

No. 6856.—Royds Bros. and Kirk, Limited, opposed by Tower Tea, Limited.

No. 7022.—Solo, Limited, opposed by Lever Bros., Limited.

Trade Marks registered.

LIST of Trade Marks registered from the 24th January to the 5th February, 1908, inclusive:—

No. 5484/6994.—Ellis and Manton. Class 42. (*Gazette* No. 98, of the 14th November, 1907.)

No. 5485/7013.—W. E. Johnson. Class 43. (*Gazette* No. 98, of the 14th November, 1907.)

No. 5486/6928.—Union Oil, Soap, and Candle Company, Limited. Class 47. (*Gazette* No. 83, of the 19th September, 1907.)

No. 5487/6930.—Union Oil, Soap, and Candle Company, Limited. Class 47. (*Gazette* No. 83, of the 19th September, 1907.)

No. 5488/5933.—Standard Varnish Works. Class 1. (*Gazette* No. 98, of the 14th November, 1907.)

No. 5489/6888.—Guggenlime and Co. Class 42. (*Gazette* No. 83, of the 19th September, 1907.)

No. 5490/6866.—J. Hoyle and Sons, Limited. Class 24. (*Gazette* No. 83, of the 19th September, 1907.)

No. 5491/6915.—Wolverhampton Corrugated Iron Company, Limited. Class 5. (*Gazette* No. 91, of the 17th October 1907.)

No. 5492/6921.—Venesta, Limited. Class 50. (*Gazette* No. 83, of the 19th September, 1907.)

No. 5493/6931.—D. Benjamin and Co. Class 50. (*Gazette* No. 83, of the 19th September, 1907.)

No. 5494/6932.—Bing, Harris, and Company, Limited. Class 38. (*Gazette* No. 83, of the 19th September, 1907.)

No. 5495/6819.—J. Matthews. Class 42. (*Gazette* No. 83, of the 19th September, 1907.)

No. 5496/7011.—S. Sigall. Class 45. (*Gazette* No. 98, of the 14th November, 1907.)

No. 5497/6611.—A. L. Rey. Class 43. (*Gazette* No. 65, of the 25th July, 1907.)

No. 5498/6612.—A. L. Rey. Class 43. (*Gazette* No. 65, of the 25th July, 1907.)

No. 5499/6613.—A. L. Rey. Class 43. (*Gazette* No. 65, of the 25th July, 1907.)

No. 5500/6620.—A. L. Rey. Class 43. (*Gazette* No. 65, of the 25th July, 1907.)

No. 5501/6621.—A. L. Rey. Class 43. (*Gazette* No. 65, of the 25th July, 1907.)

No. 5502/6622.—A. L. Rey. Class 48. (*Gazette* No. 65, of the 25th July, 1907.)

No. 5503/6681.—J. and J. Colman, Limited. Class 42. (*Gazette* No. 65, of the 25th July, 1907.)

No. 5504/6820.—McIntyre, Hogg, Marsh, and Co. Class 38. (*Gazette* No. 72, of the 8th August, 1907.)

No. 5505/7043.—M. A. Scitt. Class 3. (*Gazette* No. 102, of the 28th November, 1907.)

Subsequent Proprietor of Trade Mark registered.

[NOTE.—The name of the former proprietor is given in brackets; the date is that of registration.]

No. 5742/4956.—H. and T. Kirby and Company, Limited, of 14 Newman Street, Oxford Street, London, England. [A. Bayer.] 1st February, 1908.

Trade Mark Renewal Fees paid.

FEES paid for the renewal of the undermentioned Trade Marks for fourteen years from the date first mentioned:—

No. 1081/817.—19th March, 1908.—R. Hudson, of Dunedin, New Zealand. 25th January, 1908.

No. 1089/824.—19th March, 1908.—J. Smyth and Co., of Auckland, New Zealand. 28th January, 1908.

Trade Marks removed from the Register.

TRADE Marks removed from the Register owing to the non-payment of the renewal fee from the 21st January to the 3rd February, 1908, inclusive:—

No. 944/922.—27th October, 1893.—T. Kells, of Kakaramea, New Zealand. Class 42.

No. 946/904.—24th October, 1893.—Sargeant and Standish, of Waipuku, New Zealand. Class 42.

No. 950/941.—30th October, 1893.—F. Curtis, of Dunedin, New Zealand. Class 3.

Advertisements.

ADVERTISEMENTS are charged at the rate of 6d. per line for the first insertion, and 3d. per line for the second and any subsequent insertion.

All advertisements should be written on one side of the paper, and signatures, &c., should be written in a legible hand.

The number of insertions required must be written across the face of the advertisement.

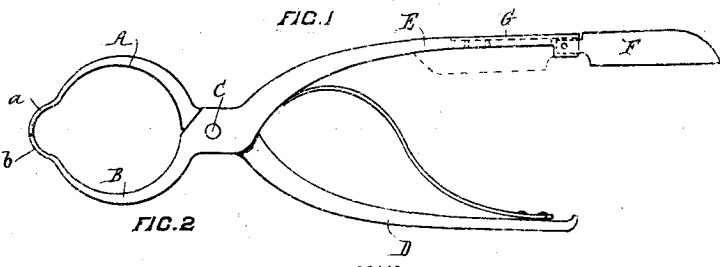
Communications should be addressed to the Government Printer, Wellington, to whom post-office money-orders should be made payable. Cheques should be crossed "Public a/c," and exchange added.

Postage or duty stamps cannot be received in payment from any place at which postal notes or post-office orders are issued.

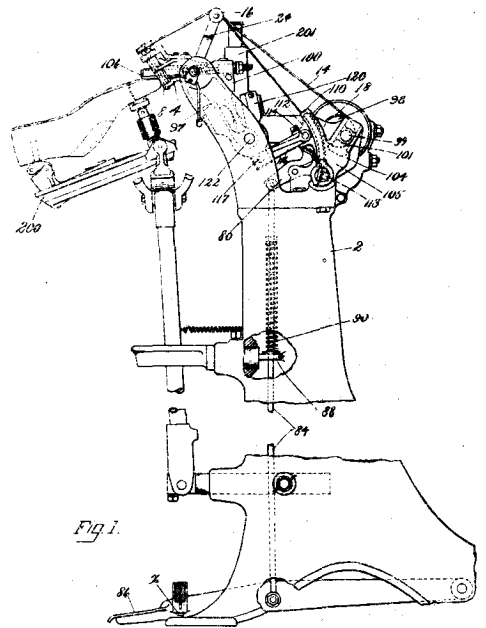
Prepayment may be demanded in any case. In order to prevent delay in publication a sufficient remittance should accompany every advertisement. Any surplus will be returned with receipted account.

ILLUSTRATIONS OF INVENTIONS.

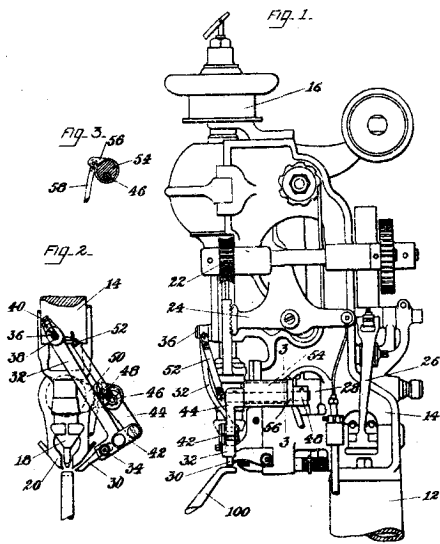
[These illustrations refer to the complete specifications accepted, and advertised in this *Gazette*.]



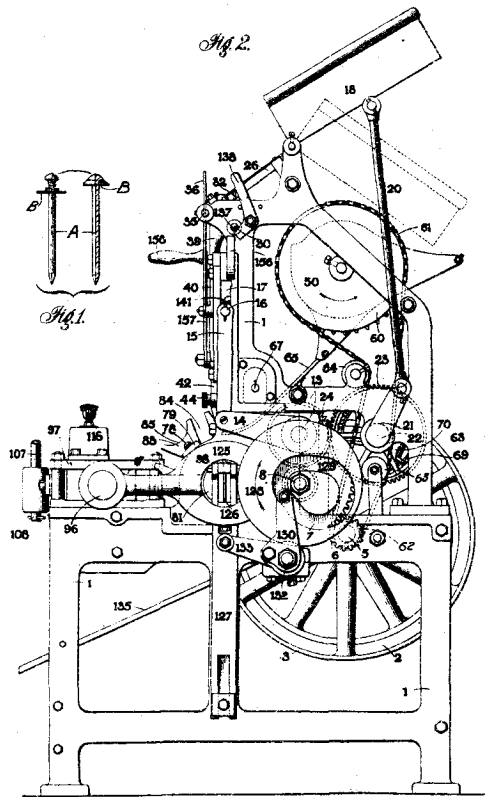
22440
Bowater. Castrating-tool.



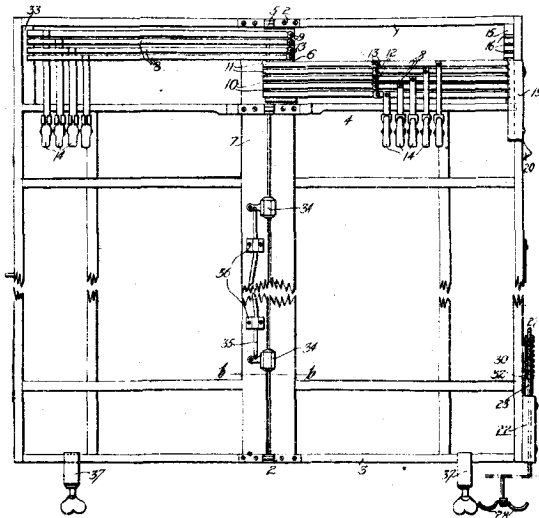
22570
United Shoe Machinery Co. Foundering-up Machine. (Shattuck.)



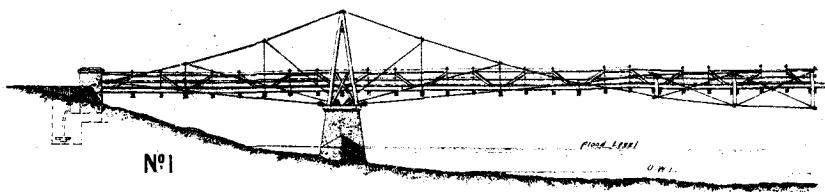
22491
United Shoe Machinery Co. Shoe-machine. (Wadsworth and Shortland.)



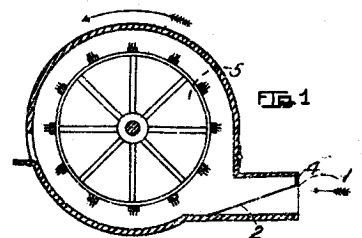
22855
Davies and Bell. Nail-machine.



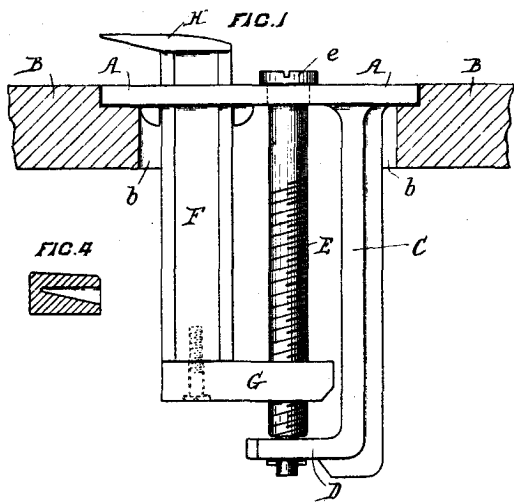
22498
Reed. Music-turner.



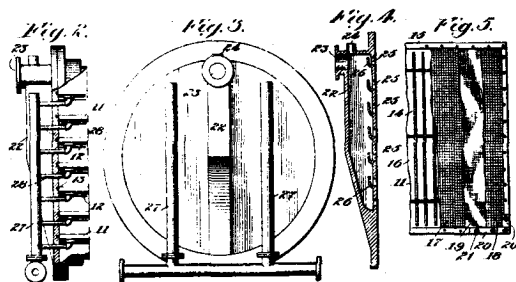
22549
Falkner. Bridge.



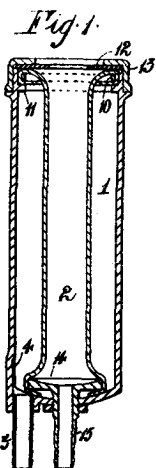
23296
Koppel. Scutcher.



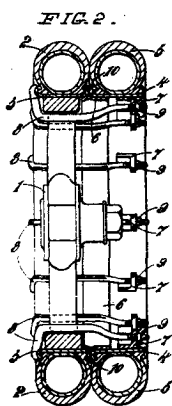
22912
Robson. Bench-stop.



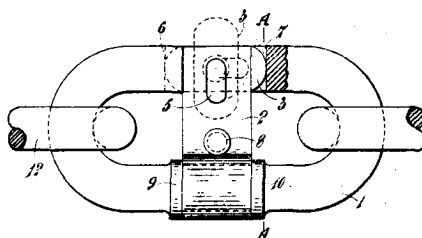
23521
Chamberlain. Ore-extraction.



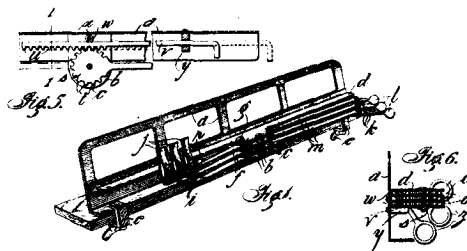
22939
Gillies. Test-cup.



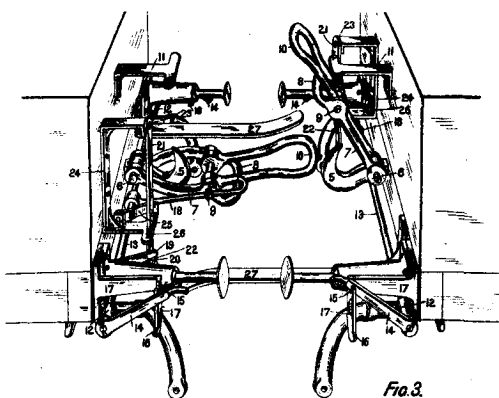
23328
Dennison. Wheel.



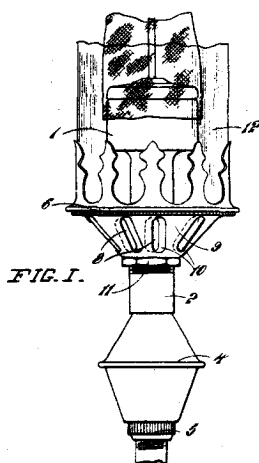
23659
Youngson. Coupling-hook.



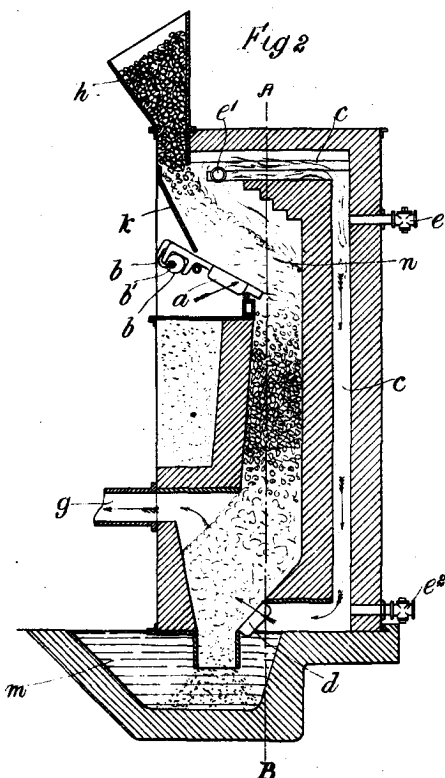
23614
Mallyon. Music-turner.



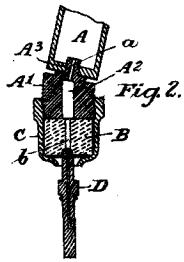
23743
The Lewis Automatic Coupling Co. (Ltd.) Railway-coupling. (Lewis.)



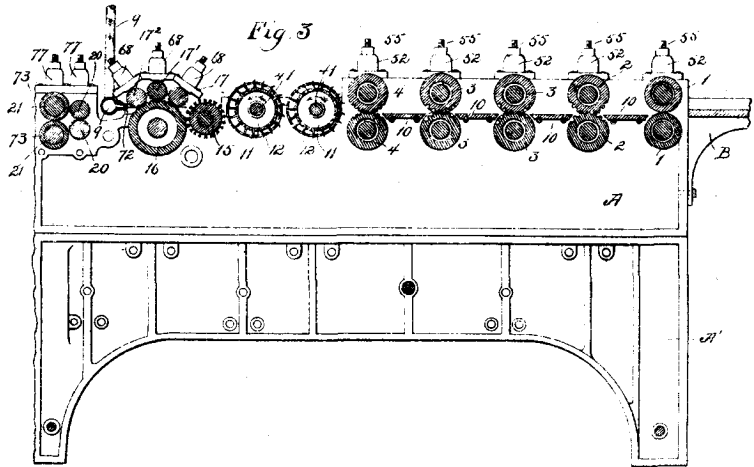
23799
Gardiner. Gas-burner.



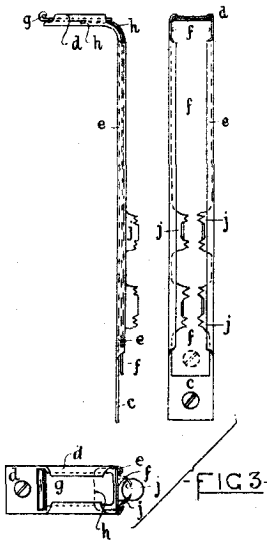
23784
Crossley and Rigby. Producer-gas Generator.



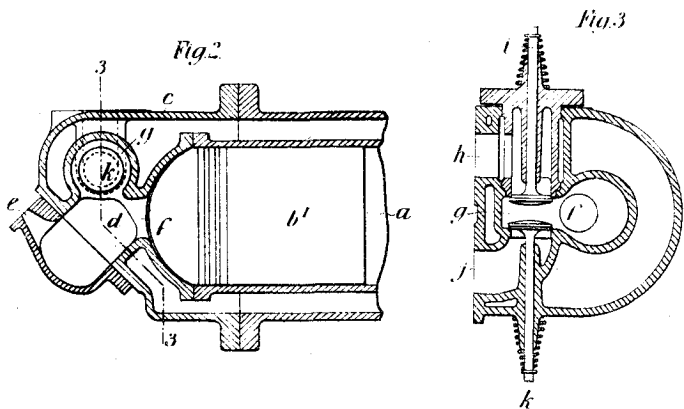
23740
Linard. Cycle-pump.



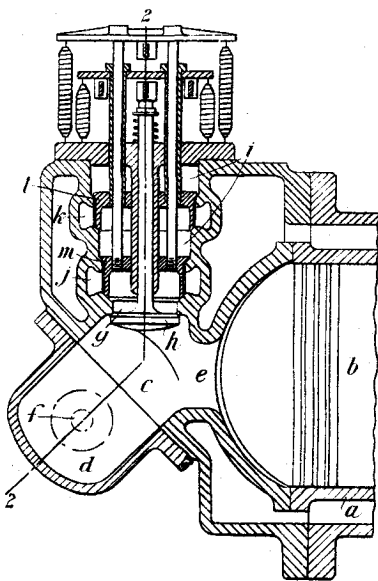
23814
The American Linen Co. Flax Machine. (Cooke.)



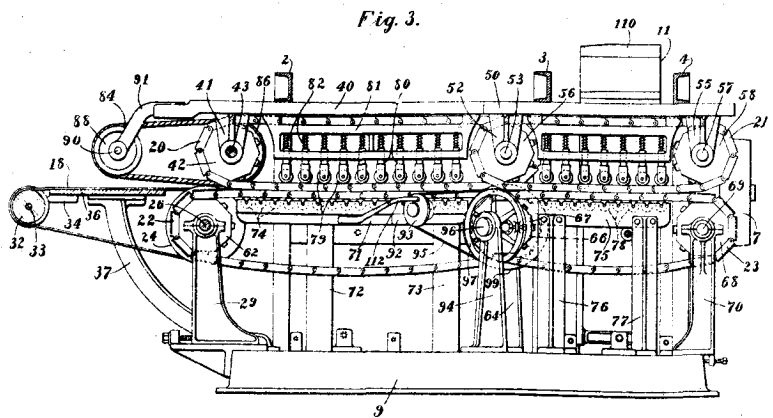
23782
Hardy. Sash-cord.



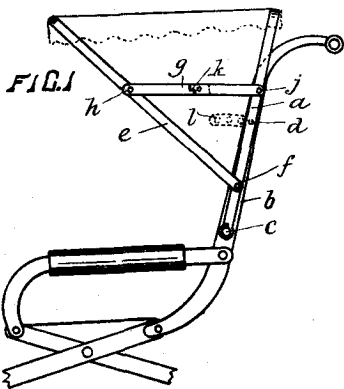
23812
Roberts. Internal-combustion Engine.



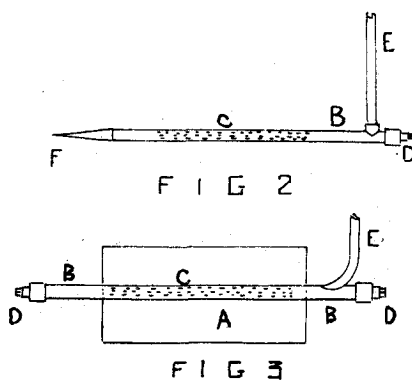
23813
Roberts. Internal-combustion Engine.



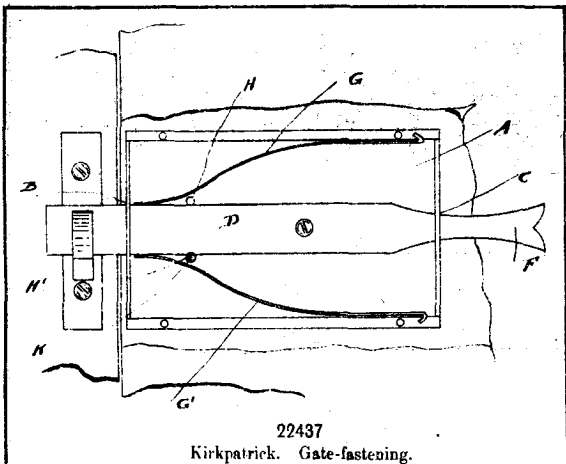
23815
Zabriskie. Fibre-preparation.



23828
Clegg. Go-cart.



23850
Smith. Temperature-detector.



22437
Kirkpatrick. Gate-fastening.

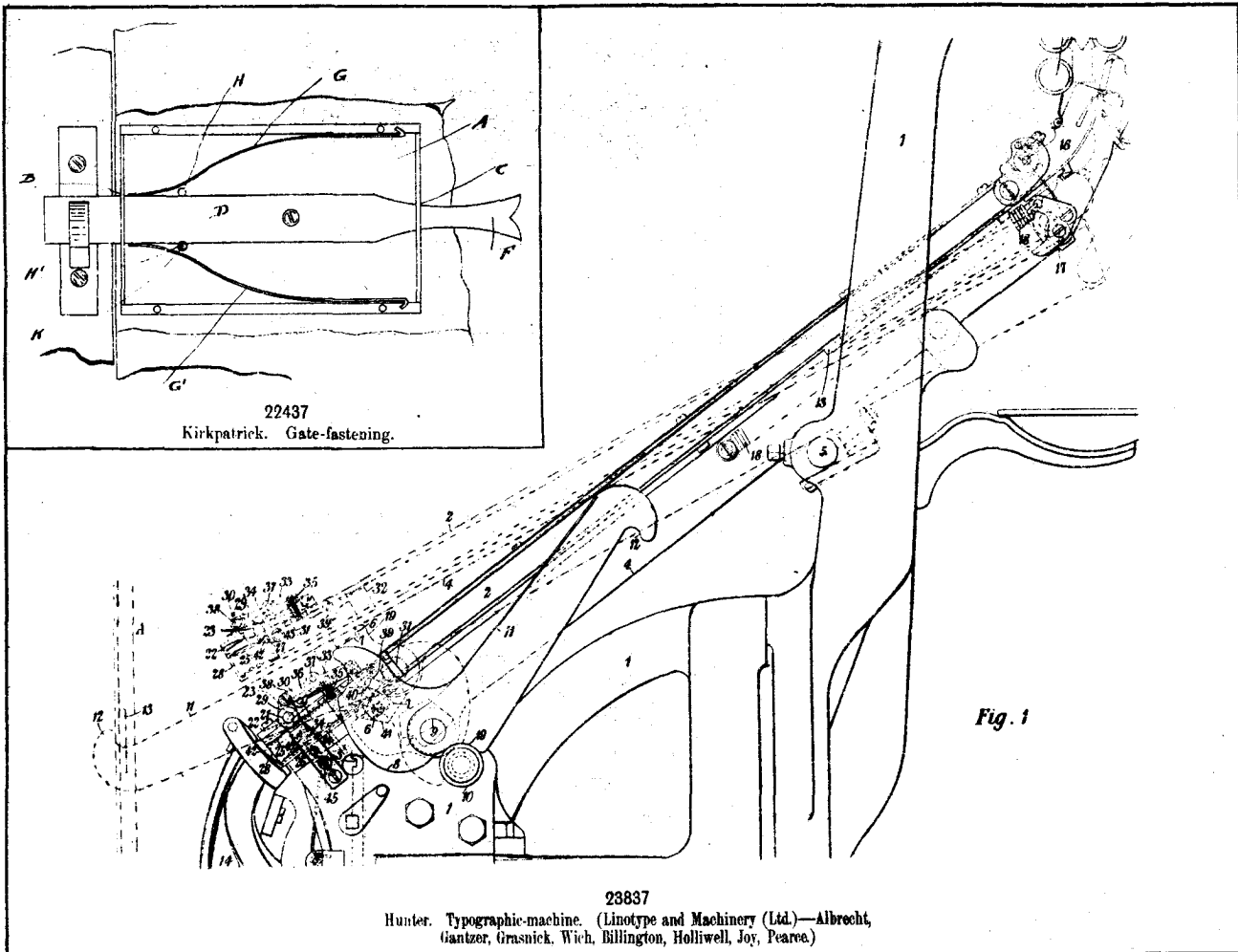


Fig. 1

23837
Hunter. Typographic-machine. (Linotype and Machinery Ltd.)—Albrecht, Gantzer, Grasnick, Wich, Billington, Holliwel, Joy, Pearce.

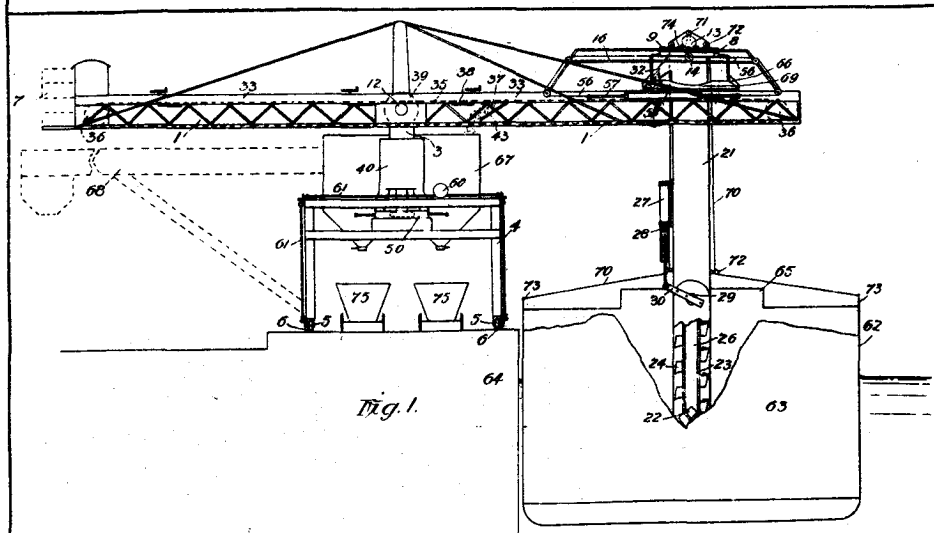


Fig. 1

23862
Chadwick. Loading-apparatus.

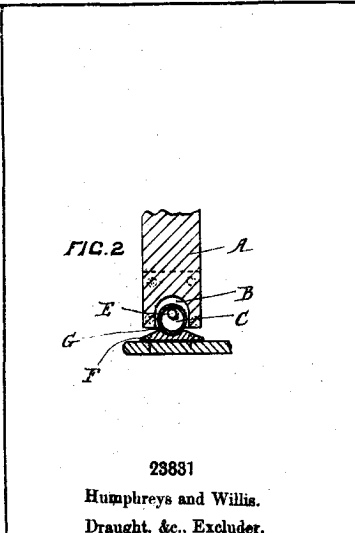
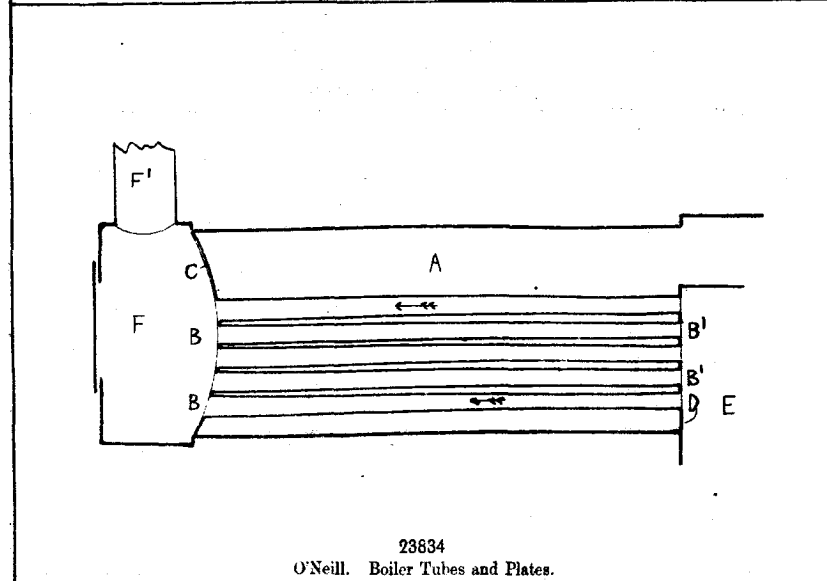
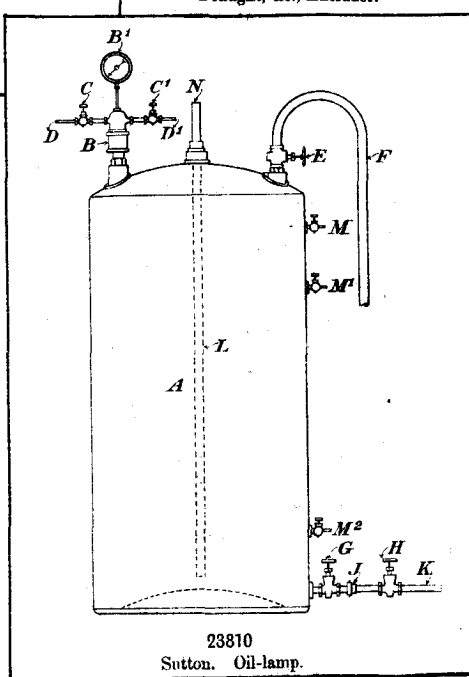


FIG. 2

23851
Humphreys and Willis.
Draught, &c., Excluder.



23834
O'Neill. Boiler Tubes and Plates.



23810
Sutton. Oil-lamp.

Alphabetical List of Applicants for Letters Patent for Quarter ending 31st December, 1907.

THIS list includes also (1) applications lodged prior to but gazetted during the quarter, (2) complete specifications following provisional specifications accepted and gazetted during the quarter. Where the number and date of the Gazette are omitted, the application has not yet been accepted.

* Denotes a provisional specification. † Denotes a prior date under section 106 of "The Patents, Designs, and Trade Marks Act, 1889."

ALPHABETICAL LIST OF APPLICANTS FOR LETTERS PATENT.

Name, Address, and Invention.	Application.		Gazette.	
	No.	Date.	No.	Date.
Albrecht, C. A., and others, Berlin, Ger. (See J. T. Hunter, No. 23837.)	23753	22 Nov. ..	7	23 Jan., 1908.
Alcorn, J. S., Boston, U.S.A. Rotary fluid-engine ..				
Alexander. (See Cayley-Alexander.)				
American Linen Company, The, New Haven, U.S.A. Flax-machine. (C. G. Cooke)	23814	11 Dec. ..	10	6 Feb., 1908.
Amos, D., Wellington, N.Z. Insulating sleeves of electric trolley-pole ..	23692	7 Nov. ..	105	12 Dec.*
Anderson, A. H., and another, Christchurch, N.Z. Suction-dressing apparatus in threshing-machine	23563	8 Oct. ..	95	31 Oct.*
Ashcroft, A., and another, Auckland, N.Z. Distilling gum.. ..	22137	27 Nov., 1906	91	17 Oct.
Ashcroft, A., and another, Auckland, N.Z. Distilling gum.. ..	22359	23 Jan. ..	102	28 Nov.
Ashton, O. (See United Shoe Machinery Company, No. 22155.)				
Aylmer, P. G., Narrandera, N.S.W. (See C. Gerber and E. Michaut, No. 23668.)				
Baddeley, R. M., Auckland, N.Z. Securing lids of tins, &c. ..	23676	21 Nov. ..	105	12 Dec.
Baker, J., and Sons, Limited, London, Eng. Dough-dividing machine. (J. Burns)	23824	8 May†
Baldwin, E. S., and another, Wellington, N.Z. Rock-drill chuck. (J. H. and J. M. Holman)	23280	9 Aug. ..	102	28 Nov.
Bancroft, J. S., and another, Philadelphia, U.S.A. (See Monotype Machine (Colonial Patents) Syndicate, Limited, No. 23852.)				
Bancroft, J. S., Philadelphia, U.S.A. (See Monotype Machine (Colonial Patents) Syndicate, Limited, No. 23853.)				
Barker, J. A., Masterton, N.Z. Clothes-line	23869	30 Dec.
Batchen, D. H., Sydney, N.S.W. Interlocking roofing-tile.. ..	23570	10 Oct. ..	102	28 Nov.
Bates, A., Leicester, Eng. (See United Shoe Machinery Company, Nos. 22067, 23597, 23811.)				
Bates, A., and another, Leicester, Eng. (See United Shoe Machinery Company, No. 22222.)				
Bayliffe, R. A., Wairoa, N.Z. Tire-cover. (A. H. B. Sharpe) ..	23649	28 Oct.
Beamish, J. H., Auckland, N.Z. Ventilator	23848	20 Dec.
Beamish, J. H., Auckland, N.Z. Method of roofing	23865	30 Dec.
Beaumont, G., Dunedin, N.Z. Belt-dressing	23485	16 Sept. ..	98	14 Nov.*
Becker, H. C., Christchurch, N.Z. Extracting grease and wool from lugs of sheep, &c.	23654	29 Oct. ..	105	12 Dec.
Beere, A. W., Palmerston North, N.Z. Trolley-head	23750	21 Nov.
Bellini, E., and another, Paris, France. Wireless telegraphy system	23661	30 Oct. ..	2	9 Jan., 1908.
Benn, J. C., Sydney, N.S.W. Extension ladder	23866	30 Dec.
Bennitt, F., Joliet, U.S.A. Roasting and sintering ores. (A. S. Dwight and R. L. Lloyd)	23599	16 Oct. ..	105	12 Dec.
Bent, A. E., and another, St. Kilda, Vic. One-rail railway carriage and track	23845	20 Dec.
Bertouch. (See Von Bertouch.)				
Betty, J., Masterton, N.Z. Dust, draught, and rain excluder ..	23786	4 Dec. ..	7	23 Jan., 1908.*
Billington, J. E., and others, Altrincham, Eng. (See J. T. Hunter, No. 23837.)				
Bishop, R. C., and another, Christchurch, N.Z. Cotton-reel ..	23823	12 Dec.
Black, J., and another, Stratford, N.Z. Manufacture of tiles and briquettes	23581	12 Oct.
Blackmore, F. E., and another, Reading, Eng. Dough-working, &c., apparatus	23820	7 Dec.
Blair, A., Dunedin, N.Z. Animal-cover fastening	23672	29 Oct. ..	7	23 Jan., 1908.
Blair, W. L. W., and another, Stratford, N.Z. Manufacture of tiles and briquettes	23581	12 Oct.
Blockley, J. J., Palmerston North, N.Z. Cistern-valve	23392	30 Aug. ..	95	31 Oct.
Boll, P., and another, Deniliquin, N.S.W. Sheep-shearing driving mechanism	23718	6 Aug.†
Bolton, T., Hamilton, Vic. Disinfecter and insect-destroyer ..	23705	13 Nov.
Bond, A. P., Auckland, N.Z. Spark-arrester	23500	21 Sept. ..	95	31 Oct.*
Bottrill, F., Tintinara, South Australia. Vehicle-wheel	22696	17 April ..	98	14 Nov.
Boyens, W. H., Hastings, N.Z. Spouting-bracket	23596	16 Oct. ..	98	14 Nov.*
Boyens, W. H., and another, Hastings, N.Z. Milk-can	23617	18 Oct.
Bradley, S. A., Merrigum, Vic. Fixing colour of fruit preparatory to drying	23855	23 Dec.
Bradley, S. A., Merrigum, Vic. Treatment of tomatoes prior to drying	23856	23 Dec.
Bradley, S. A., Merrigum, Vic. Packing-crate	23857	23 Dec.
Brisbane, D., Ardmore, N.Z. Economical form of power	23503	19 Sept. ..	102	28 Nov.*
Bristow, C., and another, Christchurch, N.Z. (See W. Wiggins, No. 23726.)				

ALPHABETICAL LIST OF APPLICANTS FOR LETTERS PATENT—continued.

Name, Address, and Invention.	Application.		Gazette.	
	No.	Date.	No.	Date.
Brook, T. B., Kopunda, South Australia. Bag-filler	22376	31 Jan. ..	102	28 Nov.
Bromley, C., Wellington, N.Z. Sole-squarer and channel-closer for boot and shoe making	23690	7 Nov. ..	2	9 Jan., 1908.*
Brown. (See Rankine Brown.)				
Brown, F. J. T., Wanganui, N.Z. Damper of register grate	23486	16 Sept. ..	98	14 Nov.*
Brown, H., Wairoa, N.Z. Docking and branding iron	23693	8 Nov. ..	2	9 Jan., 1908.*
Brown, J., Waihi, N.Z. Tire cushion and tread	23635	24 Oct. ..		
Brown, J. A., Dunedin, N.Z. Tap-handle	23650	25 Oct. ..	105	12 Dec.*
Brown, J. R., Los Angeles, Cal. Grinding-mill	23487	19 Sept. ..	2	9 Jan., 1908.
Browne, P., Waikino, N.Z. Centrifugal thickening and separating machine	23829	16 Dec. ..	95	31 Oct.
Brunt, R. J., and others, Christchurch, N.Z. Mechanical cutter for flexible materials	23658	29 Oct. ..	10	6 Feb., 1908.*
Bullock, C. C., Sydney, N.S.W. Automatically closing one-way gate..	23788	4 Dec. ..	2	9 Jan., 1908.*
Burl, H., Stamford Hill, Eng. (See Lamson Pneumatic Tube Company, Limited, No. 23572.)				
Burns, J., and others, Christchurch, N.Z. Mechanical cutter for flexible materials	23658	29 Oct. ..	2	9 Jan., 1908.*
Burns, J., Christchurch, N.Z. (See J. Baker and Sons, Limited, No. 23824.)				
Burrell, D. H., jun., and another, New York, U.S.A. Centrifugal machine. (M. L. Hoyt)	22642	3 April ..	91	17 Oct.
Burrell, L., and another, New York, U.S.A. Centrifugal machine. (M. L. Hoyt)	22642	3 April ..	91	17 Oct.
Burrell, L., Little Falls, U.S.A. (See W. H. Lawrence and R. Kennedy, No. 23543.)				
Burton, G. L., Napier, N.Z. Acetylene-generator.. .. .	23527	27 Sept. ..	98	14 Nov.
Butlin Gear, Limited, The, Sydney, N.S.W. Power-transmission gearing. (G. L. Butlin)	23553	3 Oct. ..	98	14 Nov.
Butlin, G. L., Kogarah, N.S.W. (See The Butlin Gear, Limited, No. 23553.)				
Butterworth, J. W., Auckland, N.Z. Electric fire-alarm	23647	23 Oct. ..	95	31 Oct.*
Byron, A. H., and another, Wellington, N.Z. Wool-press	23476	16 Sept. ..	105	12 Dec.
Cahill, T. J., Auckland, N.Z. Brake gear	23832	16 Dec ..		
Caldecott, W. A., Johannesburg, Trans. Ore-separator	22513	6 March ..	2	9 Jan., 1908
Campbell, A. M., Hobart, Tas. (See A. F. Golding and E. Campbell, No. 22105.)				
Campbell, E., and another, Hobart, Tas. Pulley. (A. M. Campbell)..	22105	24 Nov., 1906..	102	28 Nov.
Campbell, J. C. L., Achnalader, Scot. Fruit-preserving	23825	10 Dec. ..		
Campbell, S., and another, Romsey, Vic. Bucket-support	23807	11 Dec. ..		
Captwell E. L., Calcutta, India. (See B. O. Roberts, No. 23662.)				
Carr, A. I., Wharekopae, N.Z. Fencing-standard	23757	25 Nov. ..	7	23 Jan., 1908.
Carson, G., and another, Hull, Eng. Axle-box	23709	13 Nov. ..	2	9 Jan., 1908.
Carter, E. C., Auckland, N.Z. Venetian blind	23620	18 Oct. ..	98	14 Nov.*
Carter, T. E., Auckland, N.Z. Window-sash lock, &c.	22882	20 May ..	2	9 Jan., 1908.
Caught, J. N., St. Kilda, Vic. Marine engine	23483	19 Dec. ..		
Cayley-Alexander, W. E., and another, Auckland, N.Z. Furnace	22019	6 Nov., 1906	98	14 Nov.
Cederman, A., Hokitika, N.Z. Sprocket-chain	23560	5 Oct. ..	102	28 Nov.
Cipek, N., Vienna, Austria. Manufacture of explosive	23571	10 Oct. ..	2	9 Jan., 1908.
Chadwick, G. C., Melbourne, Vic. Loading and unloading coal, &c. ..	23862	24 Dec. ..	10	6 Feb., 1908.
Chamberlain, W. E., Feilding, N.Z. Locking nuts on bolts	23582	12 Oct. ..	95	31 Oct.*
Chamberlain, W. E., and another, Feilding, N.Z. Tiring-furnace ..	22276	7 Jan. ..	102	28 Nov.
Champion, W. N., Auckland, N.Z. Dinner-plate	23648	23 Oct. ..		
Chapman, H. B., Sydney, N.S.W. Basket or parcel strap	23720	12 Nov. ..	7	23 Jan., 1908.*
Charles, I., Dunedin, N.Z. (See J. T. Hunter, No. 23621.)				
Chew, L., and another, Surrey, Eng. (See H. J. West and Co., Limited, No. 23415.)				
Childs, A. D., and another, Leatherhead, Eng. (See Tress and Co., No. 23554.)				
Chilton, E. J., Masterton, N.Z. Preventing candles from guttering ..	23776	2 Dec. ..	7	23 Jan., 1908.*
Christie, T. R., Dunedin, N.Z. Hot-water pressure cylinder	23435	5 Sept. ..	95	31 Oct.
Clapcott, F. B., Auckland, N.Z. Cottage billiard-board	22164	3 Dec., 1906..	95	31 Oct.
Clark, W., Christchurch, N.Z. Sole of gum boot	23787	4 Dec. ..	7	23 Jan., 1908.*
Clegg, J., Christchurch, N.Z. Go-cart cover	23828	13 Dec. ..	10	6 Feb. 1908.
Clemens Horst Company, E., San Francisco, U.S.A. Hop-picker	23717	14 Nov. ..		
Coates, O., Christchurch, N.Z. Tram-line point-shifter	23469	13 Sept. ..	2	9 Jan., 1908.
Cody, P., Ngahauranga, N.Z. Railway tipping-wagon	23846	20 Dec. ..		
Coleman, S., and another, Eltham, N.Z. Teat-cup mouthpiece ..	23657	29 Oct. ..	102	28 Nov.*
Coles. (See Cowper-Coles.)				
Commonwealth Manufacturing and Galvanising Company, Limited, Brisbane, Queensland. Folding the edges of sheet metal. (W. J. Howcroft)	23536	1 Oct. ..	102	28 Nov.
Connor, M. J., and another, Auckland, N.Z. Drying and bleaching wool, fibre, &c.	23568	7 Oct. ..		
Cooke, C. G., New Haven, U.S.A. (See The American Linen Company, No. 23814.)				
Cooke, W. A., Christchurch, N.Z. Remedy for sea-sickness	23566	8 Oct. ..	98	14 Nov.
Cooper, F., Christchurch, N.Z. Street-watering	22294	8 Jan. ..	105	12 Dec.
Cork Asphalt, Limited, and another, London, Eng. Block-manufacture (C. M. C. Hughes, T. H. Quinlan, and R. Middleton.)	22120	27 Nov., 1906	98	14 Nov.
Cornes, H. A., Auckland, N.Z. Razor-strop attachment to braces ..	23633	23 Oct. ..	102	28 Nov.*

ALPHABETICAL LIST OF APPLICANTS FOR LETTERS PATENT—continued.

Name, Address, and Invention.	Application.		Gazette.	
	No.	Date.	No.	Date.
Cornford, W. H., Mornington, Vic. Military game or toy	23589	12 Oct. ..	105	12 Dec.*
Cossey. (See De Cossey.)				
Cottrell, F. G., Berkeley, U.S.A. Sulphuric acid	23518	21 Sept. ..	98	14 Nov.
Coulthard, J., Mercer, N.Z. Broom-handle machine	23669	30 Oct. ..	102	28 Nov.*
Cowper-Coles, S. O., London, Eng. Electro deposition of iron ..	23686	18 Dec., 1906†
Cox, F. J., London, Eng. Carburetter	23790	4 Dec., 1906†
Cree, T., Sydenham, N.Z. Screw-driver	23732	18 Nov. ..	7	23 Jan., 1908.*
Crossley, W. J., and another, Manchester, Eng. Manufacture of producer-gas	23784	4 Dec. ..	10	6 Feb., 1908.
Croucher, F. H., Wanganui, N.Z. Float and lid for milk-can, &c. ..	23555	3 Oct.
Crowle, J. E., South Ballarat, Vic. Lifting-jack	23422	8 Oct., 1906†	95	31 Oct.
Cullimore, F. W., Christchurch, N.Z. Billiard-table	23875	31 Dec. ..	10	6 Feb., 1908.*
Cummins, T. D., Wanganui, N.Z. Ascertaining temperature of baled goods	23622	10 April ..	98	14 Nov.
Cunnington, H. J., and another, Christchurch, N.Z. Cotton-reel ..	23823	12 Dec.
Curtis, W., Auckland, N.Z. Curtain-pole lifter	23561	5 Oct. ..	98	14 Nov.
Cusick, W., Kororoit, Vic. Means for assisting child to walk ..	23760	26 Nov. ..	7	23 Jan., 1908.*
Darcey, A. H., Timaru, N.Z. Shoe	23611	15 Oct. ..	98	14 Nov.*
Davies, F., Wellington, N.Z. Knife-cleaner	23619	18 Oct. ..	98	14 Nov.*
Davies, J. B., Melbourne, Vic. Spouting-bracket	22240	21 Dec., 1906	91	17 Oct.
Davis, H. L., and another, Melbourne, Vic. Mariner's compass. (A. F. Smith)	23739	20 Nov. ..	7	23 Jan., 1908.*
Dawson, B. F. H., Johannesburg, Transvaal. Candle-protector ..	22326	17 Jan. ..	2	9 Jan., 1908.
De Cossey, E., Kingsland, N.Z. Hydraulic pump	23624	17 Oct. ..	102	28 Nov.*
Dedden, F., and others, Rockdale, N.S.W. Rotary engine	23666	31 Oct. ..	102	28 Nov.*
De Loutour, N., Gisborne, N.Z. Back-band fastening for harness ..	23795	4 Dec. ..	10	6 Feb., 1908.*
Delsie, F., Christchurch, N.Z. Bicycle	23821	10 Dec.
Denton, W. H., and another, Christchurch, N.Z. Preventing horses galloping.	23494	20 Sept. ..	95	31 Oct.*
Deutsche Gasgluhlicht Aktiengesellschaft, The, Berlin, Ger. Gas-mantle. (H. Sussmann)	23762	26 Nov. ..	10	6 Feb., 1908.
Dewhurst, J., Hokitika, N.Z. School-slate	23806	10 Dec. ..	2	9 Jan., 1908.*
Dixey, W., Burwood, N.Z. Range hot-water boiler	23522	25 Sept. ..	95	31 Oct.*
Dixon, J., and another, Prahran, Vic. Tumbler-washing apparatus ..	23722	13 Nov.
Dixon, R., and another, Islington, N.Z. Apparatus for mixing depilatory solutions	23827	13 Dec.
Dod, G. E., Maryborough, Queensland. Internal-combustion gas-turbine	23684	7 Nov. ..	2	9 Jan., 1908.
Domars, C., and others, Sydney, N.S.W. Rotary engine	23666	31 Oct. ..	102	28 Nov.*
Dombrain, E. F., and another, Christchurch, N.Z. Baled-goods temperature-indicator	23741	20 Nov. ..	7	23 Jan., 1908.*
Donaldson, M., and another, Johannesburg, Trans. Totalisator apparatus	22909	29 May ..	95	31 Oct.*
Double, G. F., and another, Invercargill, N.Z. Razor-blade holder ..	23477	16 Sept. ..	95	31 Oct.*
Douglas, J. D., Auckland, N.Z. Cool chamber for preserving perishable goods	23636	21 Oct.
Downing, H. W., Christchurch, N.Z. Construction of saddle-tree for harness	23637	24 Oct.
Dreadon, J. S., Mititai, N.Z. Grindstone	23749	21 Nov. ..	7	23 Jan., 1908*
Drewet, J. C., Auckland, N.Z. Fibre-dresser	23844	17 Dec. ..	10	6 Feb., 1908*
Dunkley, R., and another, Hastings, N.Z. Milk-can	23617	18 Oct.
Dunlop, W. J., Marshlands, N.Z. Fire-grate	23808	11 Dec. ..	10	6 Feb., 1908*
Dunne, L., Matawhero, N.Z. Hay-stack cover	23579	11 Oct. ..	102	28 Nov.
Dunne, R., Dunedin, N.Z. Mitre-cutter	23680	2 Nov. ..	105	12 Dec.*
Dwight, A. S., and another, New York, U.S.A. (See F. Bennitt, No. 23599.)				
Earp-Thomas, H. W., Wellington, N.Z. Indicating time of clearance for letter pillar-box, &c.	23689	7 Nov. ..	105	12 Dec.*
Edkins, E. M., Dannevirke, N.Z. Feeding mechanism for saw-bench ..	23591	15 Oct. ..	102	28 Nov.
Ehrman, J., Auckland, N.Z. Trousers-leg bottom-end protector ..	23696	6 Nov.
Ell, H. C., and another, Halswell, N.Z. Suction-dressing apparatus in threshing-machine	23563	8 Oct. ..	95	31 Oct.*
English, W. G., and another, Sydney, N.S.W. (See D. Lewers and F. S. Greer, No. 23767.)				
Evans, S. P., Dunedin, N.Z. Manufacture of rolling-stock wheels ..	23700	9 Nov. ..	2	9 Jan., 1908.
Falkiner, R., and another, Moonbria, N.S.W. Sheep-shearing driving mechanism	23718	6 Aug.†
Falvey, T., Wellington, N.Z. Temperature-detector for baled goods	23623	19 Oct. ..	102	28 Nov.*
Fea, D. M., and others, Dunedin, N.Z. Railway-carriage ventilator ..	23841	19 Dec.
Feldmeier, H., Little Falls, U.S.A. (See M. H. Lawrence and R. Kennedy, No. 23542.)				
Ferguson, J., and another, Auckland, N.Z. Fencing-wire carrier ..	23710	13 Nov.
Finkler, D., Bonn, Ger. Rendering grain, pulse, &c., digestible ..	23713	14 Nov. ..	2	9 Jan., 1908.
Finnis, H. L., Napier, N.Z. Docking-iron	23694	9 Nov. ..	105	12 Dec.*
Finnis, H. L., Napier, N.Z. Docking and branding iron	23826	2 Dec.
Firth, T., Wellington, N.Z. Washing-machine	23773	29 Nov.
Fisher, J., Dunedin, N.Z. Brace	23818	7 Dec.
Fleming, T., and another, Hobart, Tas. Clothes-line	22124	28 Nov., 1906..	105	12 Dec.
Ford, A. S., Coromandel, N.Z. Preventing tobacco from getting into lid	23796	6 Dec.

ALPHABETICAL LIST OF APPLICANTS FOR LETTERS PATENT *continued.*

Name, Address, and Invention.	Application.		Gazette.	
	No.	Date.	No.	Date.
Ford, J., Dunedin, N.Z. Spring-fastener	23655	26 Oct. ..	2	9 Jan., 1908*
Ford, J., Dunedin, N.Z. Convertible perambulator	23871	30 Dec.
Frank, A. R., and another, Berlin, Ger. (See Stickstoffwerke G.m.b.H., No. 23859.)
Fraser, E., Ingham, Q. Pick-head. (J. Mazlin)	23707	13 Nov. ..	2	9 Jan., 1908.
Fraser, G. H., Brooklyn, U.S.A. Crushing-machine	23605	17 Oct.
Fraser, R. W., and others, Sydney, N.S.W. Rotary engine	23666	31 Oct. ..	102	28 Nov.*
Friend, E. H., and another, Annandale, N.S.W. Turbine	23838	18 Dec. ..	10	6 Feb., 1908*
Friend, J. E., and another, Annandale, N.S.W. Turbine	23838	18 Dec. ..	10	6 Feb., 1908*
Friestedt, A. A., Chicago, U.S.A. Metal-sheet piling	23603	17 Oct. ..	105	12 Dec.
Fry, H. A., Nelson, N.Z. Acetylene-generator	23539	1 Oct. ..	95	31 Oct.*
Fry, R. J., Carlton, Vic. Horse-shoe-making machine	23840	19 Dec.
Gairdner, A. P., Melbourne, Vic. Obtaining antimony, lead, or zinc from their sulphides. (J. Storer)	23609	17 Oct. ..	98	14 Nov.*
Gaisman, H. J. (See W. E. Hughes, No. 23206.)
Gale, W., and another, Wangaratta, Vic. Securing knives to chaff-cutter wheels	23613	17 Oct. ..	7	23 Jan., 1908*
Gallagher, R. W., Los Angeles, U.S.A. Billing-machine for meters ..	23551	3 Oct. ..	98	14 Nov.
Gamble, H. P., and another, Leicester, Eng. (See United Shoe Machinery Company, No. 22222.)
Gantzer, F., and others, Lucknow, India. (See J. T. Hunter, No. 23837.)
Gardiner, A. C., and another, Stratford, N.Z. Milk-cooler	23719	14 Nov.
Gardiner, R. C., Johnsonville, N.Z. Incandescent gas-burner	23799	7 Dec. ..	10	6 Feb., 1908.
Gaut, J., Leichhardt, N.S.W. Photographic camera	23665	31 Oct. ..	105	12 Dec.*
Gee, E. J., Christchurch, N.Z. Sun-blind	23652	28 Oct. ..	102	28 Nov.*
Genet, C. H. J., Christchurch, N.Z. Fastening bicycle-pump to frame	23769	27 Nov. ..	7	23 Jan., 1908.
Genzsch, A., Vienna, Austria. Utilisation of waste rubber	22159	2 Feb., 1906†	91	17 Oct.
Genzsch, A., Vienna, Austria. Utilisation of waste rubber	22160	5 Dec. 1906..	91	17 Oct.
George, A. A., Wellington, N.Z. Tie-frame. (C. W. Wild)	23583	14 Oct.
Gerber, C., and another, Sydney, N.S.W. Acetylene-generator. (P. G. Aylmer—H. R. R. Lewis)	23668	31 Oct. ..	105	12 Dec.
Gerson, F., and another, Sydney, N.S.W. (See D. Lewers and F. S. Greer, No. 23767.)
Gibbons, C. C. H., and another, Tangowahine, N.Z. Drying and bleaching wool, fibre, &c.	23568	7 Oct.
Giblin, F., Castlecliff, N.Z. Boiler-solution	23830	16 Dec. ..	10	6 Feb., 1908*
Gillies, A., Heidelberg, Vic. Teat-cup	22473	28 Feb. ..	95	31 Oct.
Gishman, E., Kakarama, N.Z. Butter-box	23745	21 Nov.
Golding, A. F., and another, Hobart, Tas. Pulley. (A. M. Campbell)	22105	24 Nov., 1906..	102	28 Nov.
Gordon, C. W., Melbourne, Vic. Toe-strap for cycles	23682	6 Nov. ..	2	9 Jan., 1908.*
Gouldbourn, J., Leicester, Eng. (See United Shoe Machinery Company, No. 22156.)
Grant, M. A., Richmond, Vic. Brick, pottery, &c.	23147	18 July ..	95	31 Oct.
Grasnick, C. W., and others, St. Petersburg, Russia. (See J. T. Hunter, No. 23837.)
Grave, W. G., Oamaru, N.Z. Horse-cover fastening	23742	19 Nov.
Graveson, E. J., Christchurch, N.Z. Disinfecting and washing fluid..	23778	2 Dec.
Gray, G., Dunedin, N.Z. Coupler-clamp	21910	13 Oct., 1906..	91	17 Oct.
Green, W. J., London, Eng. Branding-machine	23417	4 Sept. ..	95	31 Oct.
Greer, F. S., and another, Sydney, N.S.W. Rabbit-trap. (F. Gerson and W. G. English)	23767	27 Nov. ..	7	23 Jan., 1908.
Gribbon, J. S., and another, Romsey, Vic. Bucket-support	23807	11 Dec.
Griffin, R., Koetong, Vic. (See S. J. Plain, No. 23607.)
Griffiths, H. S., Wai-iti, N.Z. Axe-head	22268	3 Jan. ..	2	9 Jan., 1908.
Gunther, L., and another, Wangaratta, Vic. Securing knives to chaff-cutter wheels	23613	17 Oct. ..	7	23 Jan., 1908*
Hadecke, A. F., Rangiora, N.Z. Threshing-machine	23872	30 Dec.
Hale, G. H., Napier, N.Z. Scaffolding-bracket	22747	29 April ..	2	9 Jan., 1908.
Hardy, H. M., Unley, South Australia. Means for securing sash-cords Hartitzsch. (See Von Hartitzsch.)	23782	4 Dec. ..	10	6 Feb., 1908.
Haslam, W., Carlton, Vic. Motor-vehicle wheel	23678	6 Nov. ..	2	9 Jan., 1908.*
Hayes, E., Rough Ridge, N.Z. Fencing-link	23727	16 Nov. ..	2	9 Jan., 1908.*
Hedley, A., Dunedin, N.Z. Salvage gear	23867	23 Dec.
Hemery, C. J., Auckland, N.Z. Manufacture of artificial fuel	23552	3 Oct. ..	95	31 Oct.*
Henry, E. S., and another, Christchurch, N.Z. Book-holder	21927	17 Oct., 1906..	95	31 Oct.
Henry, F., Waikiwi, N.Z. Dressing flax	21685	20 Aug., 1906..	105	12 Dec.
Henry, W. J., and another, Christchurch, N.Z. Book-holder	21927	17 Oct., 1906..	95	31 Oct.
Henshall, E., Papanui, N.Z. Friction-hoist	23789	4 Dec.
Herrenschmidt, H., Paris, France. Extraction of metals from ores ..	23546	3 Oct.
Hollivell, C., and others, Altrincham, Eng. (See J. T. Hunter, No. 23837.)
Holman, J. H., and another, Cornwall, Eng. (See E. S. Baldwin and H. H. Rayward, No. 23280.)
Holman, J. M., and another, Cornwall, Eng. (See E. S. Baldwin and H. H. Rayward, No. 23280.)
Holmes, G. W., Walthamstow, Eng. (See W. J. Roche, No. 23703.)
Hooker, L. O., Hawera, N.Z. Perch-carrier	22104	23 Nov., 1906..	91	17 Oct.
Hope, J., Rangitukia, N.Z. Trap-nest	23870	30 Dec.
Horst. (See Clemens Horst.)

ALPHABETICAL LIST OF APPLICANTS FOR LETTERS PATENT—continued.

Name, Address, and Invention.	Application.		Gazette.	
	No.	Date.	No.	Date.
Hoskins, G. and C. Limited, Sydney, N.S.W. Upsetting the edges of rolled-metal plates. (G. J. Hoskins)	23772	26 Nov. ..	7	23 Jan., 1908.
Hoskins, G. J., Sydney, N.S.W. (See G. and C. Hoskins, Limited, No. 23772.)				
Houston, J., Auckland, N.Z. Trolley-head ..	23734	18 Nov. ..	7	23 Jan., 1908.*
Howcroft, W. J., Brisbane, Q. (See Commonwealth Manufacturing and Galvanising Company, No. 23536.)				
Howden, W., and others, Day Dawn, W.A. Bottle-mouth and turn-plug	23723	15 Nov.
Huckson, H. J., and another, Pakenham, Vic. Self-heating lamp ..	23499	20 Nov., 1906..	102	28 Nov.
Hudson, A. S., Brisbane, Q. Ear-marking appliance ..	22487	28 Feb. ..	2	9 Jan., 1908.
Hudson, G., and another, Wanganui, N.Z. Railway-crossing alarm..	23801	9 Dec.
Hudson, J. G., and another, Wanganui, N.Z. Signal-wire adjuster ..	23804	10 Dec. ..	10	6 Feb., 1908.*
Hughes, C. M. C., and others, London, Eng. (See Cork Asphalt, Limited, and J. W. Walker, No. 22120.)				
Hughes, P. R., Geelong, Vic. Hoisting and stacking bales of wool, &c.	23667	31 Oct. ..	2	9 Jan., 1908.*
Hughes, W. E., Wellington, N.Z. Razor. (H. J. Gaisman) ..	23206	25 July ..	95	31 Oct.
Hughes, W. E., Wellington, N.Z. Typographical composing-machine. (Linotype and Machinery, Limited.—W. H. Scharf)	23748	21 Nov. ..	7	23 Jan., 1908.
Humphreys, J., and another, Napier, N.Z. Draught, &c., excluder ..	23831	16 Dec. ..	10	6 Feb., 1908.
Humphries, G. E., Wellington, N.Z. Scaffolding ..	22166	6 Dec., 1906..	91	17 Oct.
Hunter, J. T., Wellington, N.Z. Dress-cutting chart. (I. Charles) ..	23621	18 Oct. ..	98	14 Nov.*
Hunter, J. T., Wellington, N.Z. Type composing and distributing machine. (Linotype and Machinery, Limited—C. A. Albrecht, F. Gantzer, C. W. Grasnick, F. J. Wich, J. E. Billington, C. Holliswell, J. H. Joy, and H. Pearce)	23837	18 Dec. ..	10	6 Feb., 1908.
Indahl, M. C., and another, Philadelphia, U.S.A. (See Monotype Machine (Colonial Patents) Syndicate, Limited, No. 23852.)				
Inglis, G., Auckland, N.Z. Pipe-junction ..	23538	12 Oct. ..	95	31 Oct.*
Irwin, P. S., Waikaka, N.Z. Balanced door or window ..	23730	14 Nov.
Irwin, P. S., Waikaka, N.Z. Ship's rudder ..	23731	15 Nov.
Isherwood, P. C. C., Wealdstone, Eng. Ore-treatment ..	23107	19 July, 1906†	105	12 Dec.
Jackson, A. G., Brisbane, Queensland. Electrical-releasing mechanism	23509	24 Sept. ..	95'	31 Oct.
Jackson, W., and another, Leicester, Eng. (See United Shoe Machinery Company, No. 23715).				
James, C., and another, Grantham, Eng. Internal-combustion engine	23687	7 Nov. ..	2	9 Jan., 1908.
Jamieson, J. A., Wellington, N.Z. Ticket holder or grip ..	23594	21 Oct. ..	95	31 Oct.*
Jamieson, J. A., and another, Wellington, N.Z. Suspending and joining overhead wires	23602	17 Oct. ..	95	31 Oct.*
Jarrett, A., Sydney, N.S.W. Lamp-globe attachment ..	23550	3 Oct.
Jeffery, B., Palmerston North, N.Z. Flashlight apparatus ..	23653	28 Oct. ..	102	28 Nov.*
Johnson, R. H., Dunedin, N.Z. Wire-strainer ..	23792	3 Dec.
Johnson, R. H., Ravensbourne, N.Z. Washing-board ..	23803	7 Dec. ..	10	6 Feb., 1908.*
Johnson, W. T., Wellington, N.Z. Weather-stop for windows ..	23854	23 Dec.
Jones, F. N., Nelson, N.Z. Poncho ..	23656	29 Oct. ..	102	28 Nov.*
Joy, J. H., and others, Altrincham, Eng. (See J. T. Hunter, No. 23837).				
Karsam Soap Company, Limited, The, London, Eng. Soap-manufacture. (M. R. A. Samuel and A. A. Lockwood)	23819	7 Dec.
Keast, C. E., Dunedin, N.Z. Gag for horses, &c. ..	23728	14 Nov. ..	7	23 Jan., 1908.*
Keating, B. F., Hawthorn, Vic. Talking-machine attachment ..	23604	17 Oct. ..	2	9 Jan., 1908.
Kelly, P. H., Napier, N.Z. Ascertaining temperature of baled goods	23644	25 Oct.
Kemp, R. M., Durham Ox, Vic. Cultivator ..	23517	21 Sept. ..	98	14 Nov.
Kennedy, R., and another, Glasgow, Scot. Milking-machine. (H. Feldmeier)	23542	30 Sept. ..	102	23 Nov.
Kennedy, R., and another, Glasgow, Scot. Milking-machine. (L. Burrell)	23543	30 Sept. ..	102	28 Nov.
Kilgour, E. C., Melbourne, Vic. Acetylene-gas generator ..	23576	10 Oct. ..	95	31 Oct.*
Knight, W., and another, Waipori, N.Z. Nozzle-operator ..	23267	7 Aug. ..	102	28 Nov.
Konomax Rock-drill Syndicate, Limited, The, Johannesburg, Trans. Rock-drilling machine. (W. Mauss)	23466	13 Sept. ..	95	31 Oct.
Konomax Rock-drill Syndicate, Limited, The, Johannesburg, Trans. Rock-drilling machine. (W. Mauss)	23467	13 Sept. ..	95	31 Oct.
Konomax Rock-drill Syndicate, Limited, The, Johannesburg, Trans. Cutting-machine. (W. Mauss)	23468	13 Sept. ..	95	31 Oct.
Korth, A. H., Napier, N.Z. Paving-material ..	23408	3 Sept. ..	102	28 Nov.
Kyle, R. J., Dunedin, N.Z. Bread, and process of making same ..	23702	8 Nov. ..	2	9 Jan., 1908.*
Lamson Pneumatic Tube Company, Limited, London, Eng. Pneumatic-despatch system. (H. Burl)	23572	6 Nov., 1906†	105	12 Dec.
Landells, W. G., and another, Coburg, Vic. Self-heating lamp ..	23499	20 Nov., 1906†	102	28 Nov.
Langford, J., Waihi, N.Z. Amalgamating-machine ..	21845	29 Sept., 1906	98	14 Nov.
Langton, E. G., Masterton, N.Z. Shirt-cuff fastener ..	23528	27 Sept. ..	95	31 Oct.*
Larbaletstier, E. R. S., Enmore, N.S.W. Preventing cracking of lamp-glass chimneys	23574	10 Oct. ..	102	28 Nov.
Lautour. (See De Lautour.)				
Lawrence, J. C. F., and another, Windsor, Vic. Tumbler-washing apparatus	23722	13 Nov.
Lawrence, W. H., and another, Glasgow, Scot. Milking-machine. (H. Feldmeier)	23542	30 Sept. ..	102	28 Nov.

ALPHABETICAL LIST OF APPLICANTS FOR LETTERS PATENT—*continued.*

Name, Address, and Invention.	Application.		Gazette.	
	No.	Date.	No.	Date.
Lawrence, W. H., and another, Glasgow, Scot. Milking-machine. (L. Burrell)	23543	30 Sept. ..	102	28 Nov.
Lawton, E. H., Brighton, Eng. Advertising-device	23706	15 Nov., 1906†
Leahy, J., Sydney, N.S.W. Sheep-shearing machine. (J. W. Sutton)	23766	27 Nov. ..	7	23 Jan., 1908.
Le Marquand, P. A., Auckland, N.Z. Utilising engine-exhaust for heating liquids	23691	7 Nov. ..	2	9 Jan., 1908.*
Levinge, H. M., Okato, N.Z. Altazimuth instrument	23800	9 Dec.
Lewers, R. D., and another, Sydney, N.S.W. Rabbit-trap. (F. Gerson and W. G. English)	23767	27 Nov. ..	7	23 Jan., 1908.
Lewis, A., Sydney, N.S.W. (See Lewis Automatic Coupling Company, Limited, No. 23743.)				
Lewis Automatic Coupling Company, Limited, Sydney, N.S.W. Railway-coupling. (A. Lewis)	23743	21 Nov. ..	10	6 Feb., 1908.
Lewis, H. R. R., Narrandera, N.S.W. (See C. Gerber and E. Michaut, No. 23668.)				
Lewis, I., Hokitika, N.Z. Gold-concentrator	23478	11 Sept. ..	95	31 Oct.*
Linard, A., Elsternwick, Vic. Cycle-pump	23740	2 Jan.† ..	10	6 Feb., 1908.
Lindsay, R. N. R., Auckland, N.Z. Metal-shears	23816	11 Dec.
Linotype and Machinery, Limited, London, Eng. (See W. E. Hughes, No. 23748.)				
Linotype and Machinery Limited, London, Eng. (See J. T. Hunter, No. 23337.)				
Lloyd, R. L., and another, New York, U.S.A. (See F. Bennett, No. 23599.)				
Lockwood, A. A., and another, London, Eng. (See The Karsam Soap Company, No. 23819.)				
Long, R. D., Auckland, N.Z. Internal-combustion engine	23664	30 Oct. ..	102	28 Nov.*
Longuet, L. A. H., Auckland, N.Z. Trousers-stretcher	23556	2 Oct. ..	98	14 Nov.
Lording, A. J., and others, Day Dawn, W.A. Bottle-mouth and turn-plug	23723	15 Nov.
Lucena, W., and another, Hobart, Tas. Clothes-line	22124	26 Nov., 1906..	105	12 Dec.
Lyell, A., Wellington, N.Z. Stopper for preventing fraudulent refilling of bottles	23623	21 Oct. ..	98	14 Nov.*
Lyon, H., Brockton, U.S.A. (See Nichols-Fifield Shoe Machinery Company, No. 23598.)				
Macalister, J., Invercargill, N.Z. Harrow	22163	1 Dec., 1906..	105	12 Dec.
Macondald, K. R., Wanganui, N.Z. Combination cash-receipt book	23483	14 Sept. ..	95	31 Oct.
Mackenzie, D. L., Dunedin, N.Z. Clothes-drainer	23738	18 Nov.
Magnus, P., Northcote, Vic. Scaffold and framing fittings	23541	2 Oct. ..	95	31 Oct.*
Mallyon, J. R., Yass, N.S.W. Music-leaf turner	23614	17 Oct. ..	10	6 Feb., 1908.
Mallyon, J. R., Yass, N.S.W. Locking-attachment for gates	23615	17 Oct. ..	105	12 Dec.
Mander, H., and another, Fielding, N.Z. Tiring-furnace	22276	5 Jan. ..	102	28 Nov.
Marconi, G., London, Eng. (See Marconi's Wireless Telegraph Company, Limited, No. 23681.)				
Marconi's Wireless Telegraph Company, Limited, London, Eng. Transmitter for wireless telegraphy. (G. Marconi)	23681	2 Nov. ..	2	9 Jan., 1908.
Mardon, J. W., and another, Wellington, N.Z. Railway-crossing alarm	23801	9 Dec.
Mardon, J. W., and another, Wellington, N.Z. Signal-wire adjuster ..	23804	10 Dec. ..	10	6 Feb., 1908.*
Marino, P., London, Eng. Rendering celluloid unflammable	23699	5 Nov. ..	2	9 Jan., 1908.
Marks, H. S., Leongatha, Vic. Door-controller	22223	20 Dec., 1906..	105	12 Dec.
Marks, M., Fitzroy, Vic. Attaching belts to clothing	23547	3 Oct. ..	105	12 Dec.*
Marquand. (See Le Marquand.)				
Mauss, W., Brakpan, Trans. (See The Konomax Rock-drill Syndicate, Limited, Nos. 23466, 23467, and 23468.)				
Mazlin, J., Herberton, Q. (See F. Fraser, No. 23707.)				
McBride, T. J., Christchurch, N.Z. Resilient wheel	23512	24 Sept. ..	95	31 Oct.
McCorkindale, A., Lawrence, N.Z. Screw-propeller	23701	9 Nov. ..	10	6 Feb., 1908.*
McEachern, W., Rosewood, N.S.W. Delivery device	22396	6 Feb. ..	2	9 Jan., 1908.
McGarva, T. F., Christchurch, N.Z. Baby-cradle	23538	1 Oct. ..	98	14 Nov.
McGuire, E. O., and another, Nelson, N.Z. Bread-cutter	23629	21 Oct. ..	98	14 Nov.*
McHalick, J., Takapau, N.Z. Road-making implement	23805	10 Dec. ..	10	6 Feb., 1908.*
McIndoe, W. P., Invercargill, N.Z. Trueing up flax-stripper beaters ..	23463	14 Sept. ..	98	14 Nov.
McLaurin, J. D., Pohangina, N.Z. Introducing certificates, packages, &c., into wool-bales	23569	10 Oct. ..	98	14 Nov.*
McLean, D. W., Methven, N.Z. Tire-protector	23631	22 Oct. ..	102	28 Nov.*
McLennan, T. C., Belleknowes, N.Z. Lock-fastening	23660	28 Oct. ..	102	28 Nov.*
McMahon, J. H., Auckland, N.Z. Draining-attachment to washing-boiler	23562	5 Oct. ..	95	31 Oct.
McMaster, A., Taihape, N.Z. Lifting-jack	23600	16 Oct. ..	98	14 Nov.*
McNab, G., Wellington, N.Z. Appliance for tilting casks	23863	24 Dec.
Mears, H. W., Balfour, N.Z. Chaff-cutter	23531	30 Sept. ..	95	31 Oct.*
Michaut, E., and another, Sydney, N.S.W. Acetylene-generator. (P. G. Aylmer—H. R. R. Lewis)	23668	31 Oct. ..	105	12 Dec.
Michell, A. G. M., and another, Melbourne, Vic. Apparatus for use in connection with check cipher systems	23783	5 Aug.†
Middleton, R., and others, Leeds, Eng. (See Cork Asphalt, Limited, and J. W. Walker, No. 22120.)				
Millar, R., and another, Colac Bay, N.Z. Spark-arrester	23675	1 Nov. ..	105	12 Dec.*
Millar, S., Dunedin, N.Z. (See Millar's Harvester Company, Limited, No. 23627.)				

ALPHABETICAL LIST OF APPLICANTS FOR LETTERS PATENT—continued.

Name, Address, and Invention.	Application.		Gazette.	
	No.	Date.	No.	Date.
Millar's Harvester Company, Limited, Dunedin, N.Z. Draught-equaliser for road-vehicle, &c. (S. Millar)	23627	17 Oct. ..	105	12 Dec.
Millis, R., Dunedin, N.Z. Fibre-preparing	23520	25 Sept. ..	98	14 Nov.*
Millis, R., Dunedin, N.Z. Fibre-machine	23817	7 Dec. ..	10	6 Feb., 1908.*
Moffett, C. C., Invercargill, N.Z. Minnow and tackle case ..	23559	30 Sept. ..	95	31 Oct.*
Molyneux, E. M., Auckland, N.Z. Tie-holder and collar-adjuster ..	23645	22 Oct.
Monotype Machine (Colonial Patents) Syndicate, Limited, London, Eng. Record-strip composing-machine. (J. S. Bancroft and M. C. Indahl)	23852	18 Dec.
Monotype Machine (Colonial Patents) Syndicate, Limited, London, Eng. Keyboard mechanism for perforating, &c., machine. (J. S. Bancroft)	23853	18 Dec.
Moore, R. F., Auckland, N.Z. Ferro-concrete bollard	23544	30 Sept. ..	102	28 Nov.
Morris, T., Dunedin, N.Z. Spring catch for securing chain to vehicle-wheel	23612	14 Oct. ..	98	14 Nov.*
Mortensen, H. P., and another, Palmerston North, N.Z. Liquefying milk-froth	23809	11 Dec.
Morton, F. H., Auckland, N.Z. Tire-puncture discoverer	23567	20 Nov. ..	2	9 Jan., 1908.*
Morton, W., Dunedin, N.Z. Bag-fastener	23577	8 Oct. ..	95	31 Oct.*
Morton, W. J. L., Adelaide, S. Aus. Winding or unwinding wool, &c.	23781	4 Dec. ..	2	9 Jan., 1908.
Moscicki, I., Gambach, Switz. Nitro-oxide producer	23242	1 Aug. ..	98	14 Nov.
Moss, A. E., Dunedin, N.Z. Vote-recorder	23646	24 Oct. ..	102	28 Nov.*
Moss, E., Christchurch, N.Z. Construction of tell-tale apparatus	23590	15 Oct. ..	95	31 Oct.*
Moss, E., and another, Christchurch, N.Z. Baled-goods temperature-indicator	23741	20 Nov. ..	7	23 Jan., 1908.*
Mudie, H. D., Ballarat, Vic. Gold-saving appliance	23873	31 Dec. ..	10	6 Feb., 1908.*
Muir, J. D., and another, E. Brunswick, Vic. Elevator	23839	18 Dec.
Muir, J. H., and another, E. Brunswick, Vic. Elevator	23839	18 Dec.
Muir, R., Auckland, N.Z. Chair	23802	5 Dec. ..	7	23 Jan., 1908.*
Munns, G. C., Auckland, N.Z. Lawn, &c., sprayer	23768	27 Nov. ..	2	9 Jan., 1908.*
Murchison, J. A., Waikaha, N.Z. Wire-strainer	23671	29 Oct. ..	105	12 Dec.*
Murray, R. L. H., Auckland, N.Z. Acetylene-gas holder	23371	23 Aug. ..	95	31 Oct.
Neumann, C., St. Louis, U.S.A. Air-compressor	23608	17 Oct. ..	2	9 Jan., 1908.
Newton, H. C., and another, Melbourne, Vic. Apparatus for use in connection with check cipher systems	23783	5 Aug.†
Nichols-Fifield Shoe Machinery Company, Portland, U.S.A. Inseam-trimming machine. (H. Lyon)	23598	16 Oct. ..	105	12 Dec.
Nicholson, H. A., Otautau, N.Z. Flax-bleaching process	23711	13 Nov. ..	2	9 Jan., 1908.
Nicholson, N. L., Invercargill, N.Z. Gauge for saw-bench	23601	16 Oct. ..	105	12 Dec.
Nielsen, N. P., and another, Palmerston North, N.Z. Liquefying milk-froth	23809	11 Dec.
Nielsen, S. J., Copenhagen, Den. Keyless lock	23154	18 July ..	95	31 Oct.
Norrie, W. M., Auckland, N.Z. Potato-peeler	21941	19 Oct., 1906..	95	31 Oct.
Norris, G., Dartmore, N.Z. Tire-protector	23833	16 Dec.
North, C., Te Awamutu, N.Z. Willow and noxious-weed exterminator	23746	21 Nov.
Notcutt, W. P., London, Eng. File or rasp	23685	7 Nov. ..	105	12 Dec.
Oakden, F., Dunedin, N.Z. Reinforced-concrete pole	23791	29 Nov. ..	10	6 Feb., 1908.*
O'Brien, jun., W., and another, Waipori, N.Z. Nozzle-operator ..	23267	7 Aug. ..	102	28 Nov.
Ohlson, J. L., Adelaide, South Australia. Sewing-machine	23416	4 Sept. ..	95	31 Oct.
O'Neill, P. S., Kokiiri, N.Z. Boiler-tube and tube-plates	23834	14 Dec. ..	10	6 Feb., 1908.
Overton, C. F., Clydevale, N.Z. Fencing-clip twister	23849	19 Dec.
Owen, J., Sydney, N.S.W. Draught-fitting for retailing aerated liquids from bulk	23537	1 Oct.
Palmer, Sir W., Bart., and another, London, Eng. Dough-working, &c., apparatus	23820	7 Dec.
Parant, L. L. J., and another, Geneva, Switz. Decolouring tobacco-leaves	23573	10 Oct. ..	102	28 Nov.
Park, J. R., Dunedin, N.Z. Manufacture of filaments for electric incandescent lamps. ("Z" Electric Lamp Syndicate, Limited—H. Zerning)	23640	22 Oct. ..	102	28 Nov.*
Parker, A., Dannevirke, N.Z. Ticket-issuing machine	22181	11 Dec., 1906..	102	28 Nov.
Parker, A., Dannevirke, N.Z. Machine for vending postage-stamps, &c.	23632	23 Oct. ..	102	28 Nov.*
Parker Machine Company, New York, U.S.A. Platen-shifting mechanism for type-writer. (J. A. Ronchetti)	23747	21 Nov. ..	7	23 Jan., 1908.*
Parker, T., London, Eng. Fuel	22945	4 June ..	102	28 Nov.
Parker, T., London, Eng. Production of fuel	23630	22 Oct. ..	102	28 Nov.
Parrish, G., Christchurch, N.Z. Attaching hames to horse's collar	23638	24 Oct. ..	102	28 Nov.*
Partridge, G. E., Cromwell, N.Z. Flax-tying	23534	28 Sept. ..	95	31 Oct.*
Patterson, J. R., Wellington, N.Z. Actuating machine sheep-shears..	23765	27 Nov. ..	7	23 Jan., 1908.*
Pearce, H., and others, Altrincham, Eng. (See J. T. Hunter, No. 23837.)				
Peddie, A., and others, Dunedin, N.Z. Railway-carriage ventilator ..	23841	19 Dec.
Penwarden, A. O., Okato, N.Z. Cow-bail	23447	11 Sept. ..	95	31 Oct.
Perry, F. H., Beverly, U.S.A. (See United Shoe Machinery Company, No. 22060.)				
Pfeiff, A. T., Stockholm, Sweden. Liquid-heater	23089	4 July ..	102	28 Nov.
Phillips, S. J., Hallett, South Australia. Cutting and cauterizing device	23683	7 Nov. ..	105	12 Dec.*
Pichon, A. P., and another, Geneva, Switz. Decolouring tobacco-leaves	23573	10 Oct.

ALPHABETICAL LIST OF APPLICANTS FOR LETTERS PATENT - *continued.*

Name, Address, and Invention.	Application.		Gazette.	
	No.	Date.	No.	Date.
Pitt, W. E., and others, Dunedin, N.Z. Railway-carriage ventilator..	23841	19 Dec.
Plain, S. J., Melbourne, Vic. Sluice-box. (R. Griffin) ..	23607	17 Oct.
Poohin, H. N., and another, Leicester, Eng. (See United Shoe Machinery Company, No. 23715.)				
Porter, A., Dunedin, N.Z. Animal-trap ..	23674	1 Nov. ..	105	12 Dec.*
Pride, J. P., Leicester, Eng. (See United Shoe Machinery Company, No. 23716.)				
Quertier, H., Dunedin, N.Z. Tramway-rail clearer, &c. ..	22134	29 Nov., 1906	91	17 Oct.
Quertier, H., Dunedin, N.Z. Tramway-rail suction cleaner ..	22267	3 Jan. ..	91	17 Oct.
Quicke, E. S., and another, Invercargill, N.Z. Razor-blade holder ..	23477	16 Sept. ..	95	31 Oct.*
Quinlan, T. H., and others, London, Eng. (See Cork Asphalt, Limited, and J. W. Walker, No. 22120.)				
Radford, H. R., Waimauku, N.Z. Egg-carrier ..	23851	18 Dec. ..	7	23 Jan., 1908.*
Rafferty, P., Wellington, N.Z. Electric attachment ..	23704	12 Nov. ..	105	12 Dec.*
Rafferty, P., Wellington, N.Z. Trolley-head ..	23545	3 Oct. ..	91	17 Oct.*
Ralph, L. N., Pongakawa, N.Z. Device for running out barbed wire..	23759	25 Nov.
Rankine Brown, M. J. T., Wellington, N.Z. Women's singlets ..	23697	9 Nov. ..	2	9 Jan., 1908.*
Rasmussen, J. P., Riverton, N.Z. Electrical insulating composition ..	23771	27 Nov. ..	7	23 Jan., 1908.*
Rayward, H. H., and another, Wellington, N.Z. Rock-drill chuck. (J. H. and J. M. Holman)	23280	9 Aug. ..	102	28 Nov.
Read, T., Auckland, N.Z. Rubber-heel protector ..	22077	16 Nov., 1906	102	28 Nov.
Reilly, C. J., Syracuse, U.S.A. Separator ..	23712	14 Nov. ..	2	9 Jan., 1908.
Renshaw, J. T., Dunedin, N.Z. Boot-jack ..	23835	16 Dec.
Richardson, C., and another, Auckland, N.Z. Distilling gum ..	22137	27 Nov., 1906	91	17 Oct.
Richardson, C., and another, Auckland, N.Z. Distilling gum ..	22359	23 Jan. ..	102	28 Nov.
Richardson, W. G., Auckland, N.Z. Flax-waste as cattle-food ..	22114	23 Nov., 1906	91	17 Oct.
Richardson, W. G., Auckland, N.Z. Preparing cattle-food from flax-waste	23721	12 Nov. ..	7	23 Jan., 1908.*
Ridley, W. H. J., Auckland, N.Z. Ore-extraction..	23533	28 Sept. ..	105	12 Dec.
Rigby, T., and another, Manchester, Eng. Manufacture of producer-gas	23784	4 Dec. ..	10	6 Feb., 1908.
Risberg, J. V. M., Södertelje, Sweden. Emulsifying milk ..	23836	18 Dec.
Roberts, B. O., Calcutta, India. Sheet-metal roofing. (E. L. Cantwell)	23662	30 Oct. ..	2	9 Jan., 1908.
Roberts, D., and another, Grantham, Eng. Internal-combustion engine	23687	7 Nov. ..	2	9 Jan., 1908.
Roberts, D., Grantham, Eng. Internal-combustion engine ..	23812	11 Dec. ..	10	6 Feb., 1908.
Roberts, D., Grantham, Eng. Internal-combustion engine ..	23813	11 Dec. ..	10	6 Feb., 1908.
Roberts, L., Timaru, N.Z. Pattern-chart ..	21547	1 Aug., 1906..	95	31 Oct.
Roberts, L., Timaru, N.Z. Pattern-chart ..	22046	12 Nov., 1906..	95	31 Oct.*
Roberts, L., Timaru, N.Z. Dress-cutting chart ..	22047	12 Nov., 1906..	95	31 Oct.
Roche, W. J., Feilding, N.Z. Hospital. (C. W. Holmes) ..	23703	6 Dec., 1906†
Ronchetti, J. A., Woonsocket, U.S.A. (See Parker Machine Company, No. 23747.)				
Rosegger, C., Auckland, N.Z. Wall-construction ..	23724	13 Nov.
Roseman, S. G., Auckland, N.Z. Attaching broom-handles to heads..	23642	25 Oct. ..	102	28 Nov.*
Roseman, S. G., Auckland, N.Z. Broom..	23643	25 Oct.
Ross, J., Wellington, N.Z. Grease-trap ..	23480	17 Sept. ..	95	31 Oct.
Ross, W. M., Feilding, N.Z. Septic tank and filter ..	23557	4 Oct. ..	102	28 Nov.*
Roycroft, A. J., Waihi, N.Z. Fire-alarm..	23858	24 Dec.
Royds, T. S., Invercargill, N.Z. Milk-bucket holder ..	23519	16 Sept. ..	98	14 Nov.*
Rudder, F. P., Derby, Eng. Furnace for refuse-destroyer ..	23860	24 Dec.
Rudemann, L., London, Eng. Belt-ends connector ..	23149	18 July ..	95	31 Oct.
Russell, F., Lismore, N.S.W. Field-gate ..	22874	22 May ..	91	17 Oct.
Samuel, M. R. A., and another, London, Eng. (See The Karsam Soap Company, Limited, No. 23819.)				
Sands, T. W., Roseville, N.S.W. Vibrating forks of sheep-shearing machines	23679	7 Nov. ..	2	9 Jan., 1908.*
Sara, F., Yelverton, Eng. Animal-trap ..	23785	4 Dec. ..	7	23 Jan., 1908.
Saunders, G., Pleasant Point, N.Z. Wearing-strips of concave bars of threshing-machine	23565	8 Oct. ..	95	31 Oct.*
Saxby, R. G., Tokomaru Bay, N.Z. Girth and surcingle ..	23474	16 Sept. ..	105	12 Dec.*
Scharf, W. H., Montreal, Canada. (See W. E. Hughes, No. 23748.)				
Scott, J. R., Boston, U.S.A. (See United Shoe Machinery Company, No. 23714.)				
Scott, T. M., and another, Wellington, N.Z. Wool-press ..	23476	16 Sept. ..	105	12 Dec.
Searle, H. S., Invercargill, N.Z. Wire-strainer ..	23331	15 Aug. ..	95	31 Oct.
Searle, J., Melbourne, Vic. Indicating moisture in fleece of sheep, &c..	23639	24 Oct. ..	105	12 Dec.
Seay International Ice and Refrigeration Machinery Company, Philadelphia, U.S.A. Production of ice and cold. (W. W. Seay)	23780	3 Dec. ..	7	23 Jan., 1908.
Seay, W. W., Philadelphia, U.S.A. (See Seay International Ice and Refrigeration Machinery Company, No. 23780.)				
Seifert, W., and another, Takapau, N.Z. Flax-feed from stripper to washing-machine	23754	23 Nov. ..	7	23 Jan., 1908*
Seifert, W., and another, Takapau, N.Z. Catcher for stripper ..	23755	23 Nov. ..	7	23 Jan., 1908*
Seifert, W., and another, Takapau, N.Z. Catching flax from stripper, &c.	23876	31 Dec.
Shacklock, J. B., Dunedin, N.Z. Moulding appliance ..	23370	23 Aug. ..	95	31 Oct.
Shadgett, E., Wellington, N.Z. Treatment of bananas as food ..	22079	20 Nov., 1906..	91	17 Oct.
Sharp, J., and others, Rockdale, N.S.W. Rotary-engine ..	23666	31 Oct. ..	102	28 Nov.*

ALPHABETICAL LIST OF APPLICANTS FOR LETTERS PATENT—continued.

Name, Address, and Invention.	Application.		Gazette.	
	No.	Date.	No.	Date.
Sharp, P. V., and others, Christchurch, N.Z. Mechanical cutter for flexible materials	23658	29 Oct. ..	2	9 Jan., 1908*
Sharpe, A. H. B., Lincoln, Eng. (See R. A. Bayliffe, No. 23649.)				
Siddall, A., Bondi, N.S.W. Attachment for supporting pictures, &c.	23688	7 Nov. ..	105	12 Dec.
Simm, H., and another, Portico, Eng. Zinc-oxide production ..	23752	22 Nov. ..	7	23 Jan., 1908.
Simm, W., and another, Portico, Eng. Zinc-oxide production ..	23752	22 Nov. ..	7	23 Jan., 1908.
Simmonds, F. R., and another, Takapau, N.Z. Flax-feed from stripper to washing-machine	23754	23 Nov. ..	7	23 Jan., 1908*
Simmonds, F. R., and another, Takapau, N.Z. Catcher for stripper ..	23755	23 Nov. ..	7	23 Jan., 1908*
Simmonds, F. R., and another, Takapau, N.Z. Catching flax from stripper, &c.	23876	31 Dec.
Sinclair, T. D., Hastings, N.Z. Inlet-valve for internal-combustion engine	23744	21 Nov. ..	7	23 Jan., 1908*
Skipwith, R. H., Christchurch, N.Z. Reinforced-concrete flooring ..	23794	5 Dec. ..	10	6 Feb., 1908*
Slater, J., Coolgardie, W.A. Traffic-signal flag	23775	2 Dec. ..	7	23 Jan., 1908.
Slight, A. J. O., and another, Eltham, N.Z. Teat-cup mouthpiece ..	23657	29 Oct. ..	102	28 Nov.*
Slipper, A. E., and another, Kokiri, N.Z. Belt-fastener	23530	25 Sept. ..	95	31 Oct.*
Small, A., jun., Dunedin, N.Z. Milking machinery	23770	25 Nov.
Smart, J., Auckland, N.Z. Trap and drain cover	22322	17 Jan. ..	105	12 Dec.
Smith, A. F., Melbourne, Vic. (See H. L. Davis and E. Wood, No. 23739.)				
Smith, D. J., and another, Kokiri, N.Z. Belt-fastener	23530	25 Sept. ..	95	31 Oct.*
Smith, R. M., Auckland, N.Z. Junction-chamber for drain-pipes ..	23677	6 Nov. ..	105	12 Dec.
Smith, R. M., Auckland, N.Z. Drainage junction and vent-pipe ..	23777	2 Dec. ..	7	23 Jan., 1908*
Smith, R. M., Dunedin, N.Z. Temperature-detector	23850	18 Dec. ..	10	6 Feb., 1908.
Smith, W. T., Los Angeles, U.S.A. Extracting metals from ores ..	23758	25 Nov.
Smith, V. G., Copenhagen, Denmark. Butter-washing process ..	23861	24 Dec.
Soderling, A., Bodie, U.S.A. Ore-treatment	23764	27 Nov. ..	7	23 Jan., 1908.
Sorenson, A. J., Sydney, N.S.W. Racing-hurdle	23618	15 Oct. ..	105	12 Dec.
Spear, H., Wellington, N.Z. Spectacles	23822	12 Dec.
Spear, H. W., and another, Colac Bay, N.Z. Spark-arrester	23675	1 Nov. ..	105	12 Dec.*
Spears, P., Tullamarine, Vic. Plough-disc	23446	11 Sept. ..	95	31 Oct.
Stace, F. S., and another, Woodville, N.Z. Race-starting machine attachment	23779	3 Dec. ..	2	9 Jan., 1908*.
Steele, W., Mamaku, N.Z. Shaft attachment for engines and trucks, &c.	23763	21 Nov. ..	7	23 Jan., 1908*
Steffens, H. A. F., Christchurch, N.Z. Seed-sower	23585	14 Oct. ..	95	31 Oct.*
Stephens, W. C., Camborne, Eng. Rock-drill	23575	10 Oct. ..	102	28 Nov.
Stephenson, H., Edenham, N.Z. Fencing-standard	23535	1 Oct. ..	98	14 Nov.
Stevenson, J., Glenavy, N.Z. Plough	22005	3 Sept. ..	102	28 Nov.
Stewart, C. P., Los Angeles, California. Sugar-manufacture ..	23506	23 Sept. ..	95	31 Oct.
Stewart, G. T., and another, Featherston, N.Z. Expanding differential clutch	23595	15 Oct. ..	105	12 Dec.
Stewart, G. W., and another, East Melbourne, Vic. One-rail railway carriage and track	23845	20 Dec.
Stewart, H. H., and another, Featherston, N.Z. Expanding differential clutch	23595	15 Oct. ..	105	12 Dec.
Stewart, J. T., Christchurch, N.Z. Washing-machine and churn ..	23580	11 Oct.
Stickstoffwerke, G.m.b.H., Berlin, Ger. Manufacture of nitrogen compounds. (A. R. Frank and M. Voigt)	23859	25 June†
Stitt, M. A., Westport, N.Z. Means for assisting child to walk, usable also as a swing	23756	25 Nov.
Storer, J., Melbourne, Vic. (See A. P. Gairdner, No. 23609.)				
Storrie, A., Invercargill, N.Z. Ridger and sower	23751	20 Nov. ..	7	23 Jan., 1908*
Suggate, C., and another, Auckland, N.Z. Furnace	22019	6 Nov., 1906..	98	14 Nov.
Sussmann, H., Berlin, Ger. (See The Deutsche Gasgluhlicht Aktiengesellschaft, No. 23762.)				
Sutherland, T., Wellington, N.Z. Cooking-vessel	22195	13 Dec., 1906..	91	17 Oct.
Sutton, J. W., Phoenix City, U.S.A. (See J. Leahy, No. 23766.)				
Sutton, J. W., Brisbane, Q. Oil-vaporiser, &c.	23810	11 Dec. ..	10	6 Feb., 1908
Swanston, F. J., Dunedin, N.Z. Broom-handle coupling	23470	11 Sept. ..	95	31 Oct.
Swindale, J., and another, Nelson, N.Z. Bread-cutter	23629	21 Oct. ..	98	14 Nov.*
Tait, A. L. J., Dunedin, N.Z. Clothes line and fasteners	23641	22 Oct. ..	102	28 Nov.*
Tait, A. L. J., Dunedin, N.Z. Envelope-opener	23797	5 Dec.
Tait, A. L. J., Dunedin, N.Z. Pot-cleaner	23798	5 Dec. ..	10	6 Feb., 1908*
Tattersfield, C., Gisborne, N.Z. Waterproof solution	23695	4 Nov. ..	102	28 Nov.
Taucher, J. J., Wellington, N.Z. Clothes-peg	23735	18 Nov.
Taylor, A. E., Christchurch, N.Z. Trunk and hat box	23736	18 Nov.
Taylor, L., and another, Stratford, N.Z. Milk-cooler	23719	14 Nov. ..	7	23 Jan., 1908*
Thomson, G. S., Dunedin, N.Z. Trolley-pole	23549	30 Sept. ..	98	14 Nov.
Thomson, J., Gladstone, N.Z. Tire	23774	27 Nov. ..	7	23 Jan., 1908*
Thomson, E., and others, Day Dawn, W.A. Bottle mouth and turn-plug	23723	15 Nov.
Tingey, L. R., Wellington, N.Z. Metallic letters	23526	27 Sept. ..	95	31 Oct.*
Tonks, F., Wellington, N.Z. Chimney	23793	5 Dec. ..	10	6 Feb., 1908.*
Tosi, A., and another, Paris, France. Wireless telegraphy system ..	23661	30 Oct. ..	2	9 Jan., 1908.
Tress and Co., London, Eng. Manufacture of straw, &c., hats. (F. Wright and A. D. Childs.)	23554	3 Oct. ..	98	14 Nov.
Trevellian, F. H., Wellington, N.Z. Cash-register	23586	14 Oct. ..	102	28 Nov.
Trevethick, J., Auckland, N.Z. Securing handles to broom-heads ..	23725	16 Nov. ..	7	23 Jan., 1908.
Triggs, W. H., and another, Christchurch, N.Z. Preventing horses galloping	23494	20 Sept. ..	95	31 Oct.*

ALPHABETICAL LIST OF APPLICANTS FOR LETTERS PATENT—*continued.*

Name, Address, and Invention.	Application.		Gazette.	
	No.	Date.	No.	Date.
Turner, C. E., Palmerston North, N.Z. Picture-hanging attachment..	23737	19 Nov. ..	7	23 Jan., 1908.*
Turner, D. L., Wellington, N.Z. Flax-bleaching	21460	17 July, 1906 ..	91	17 Oct.
Uddstrom, C., Greymouth, N.Z. Chain and sprocket gearing ..	23610	15 Oct. ..	2	9 Jan., 1908.
United Shoe Machinery Company, Paterson, U.S.A. Inserting fasteners. (F. H. Perry)	22060	15 Nov., 1906 ..	102	28 Nov.
United Shoe Machinery Company, Paterson, U.S.A. Clicking-press. (A. Bates)	22067	15 Nov., 1906 ..	102	28 Nov.
United Shoe Machinery Company, Paterson, U.S.A. Boot-assembling machine. (O. Ashton)	22155	5 Dec., 1906 ..	91	17 Oct.
United Shoe Machinery Company, Paterson, U.S.A. Heel-loading machine. (J. Gouldbourn)	22156	5 Dec., 1906 ..	91	17 Oct.
United Shoe Machinery Company, Paterson, U.S.A. Inserting fasteners. (A. Bates and H. P. Gamble)	22222	20 Dec., 1906 ..	98	14 Nov.
United Shoe Machinery Company, Paterson, U.S.A. Lasting-machine. (A. Bates)	23597	16 Oct. ..	95	31 Oct.*
United Shoe Machinery Company, Paterson, U.S.A. Abrading device. (J. R. Scott)	23714	14 Nov. ..	2	9 Jan., 1908.*
United Shoe Machinery Company, Paterson, U.S.A. Burnishing- machine. (W. Jackson and H. N. Pochin)	23715	14 Nov. ..	2	9 Jan., 1908.*
United Shoe Machinery Company, Paterson, U.S.A. Shoe-machine jack. (J. P. Pride)	23716	14 Nov. ..	2	9 Jan., 1908.*
United Shoe Machinery Company, Paterson, U.S.A. Inseam-trimming machine. (A. Bates)	23811	11 Dec. ..	7	23 Jan., 1908.*
Vague, E., Levels, N.Z. Cleaning and classing potatoes	23698	6 Nov.
Van Wye, G. P., New York, U.S.A. Vacuum insulated bottle and casing	23761	26 Nov. ..	7	23 Jan., 1908.*
Verein Chemischer Fabriken, Mannheim, Ger. (See E. N. Waters, No. 23842)				
Voigt, M., and another, Berlin, Ger. (See Stickstoffwerke, G.m.b.H., No. 23859.)				
Von Bertouch, J., Kapunda, S.A. Road, &c., clearing machine ..	23237	20 Aug., 1906†	102	28 Nov.
Von Hartitzsch, P. O., Wellington, N.Z. Trolley-pole retriever ..	23592	15 Oct. ..	95	31 Oct.*
Von Hartitzsch, P. O., Wellington, N.Z. Trolley-pole retriever ..	23847	20 Dec. ..	10	6 Feb., 1908.*
Wakefield, C. C., London, Eng. Gas-burner	23501	21 Sept. ..	95	31 Oct.
Walker, J. W., and others, London, Eng. Block-manufacture. (C. M. C. Hughes, T. H. Quinlan, and R. Middleton)	22120	27 Nov., 1906..	98	14 Nov.
Walkerden, W., Murrumbidgee, N.S.W. Boot or shoe	23502	21 Sept. ..	105	12 Dec.*
Walter, R. A. O., Auckland, N.Z. Envelope	23634	23 Oct. ..	102	28 Nov.*
Wannenmacher, M., Fitzroy, Vic. Rolling or curling butter ..	23616	17 Oct. ..	2	9 Jan., 1908.
Warren, A., Wellington, N.Z. Preventing vehicle running backwards when drawn up hill	23593	15 Oct.
Waters, E. N., Melbourne, Vic. Manufacture of sodium-sulphate reduc- tion products. (Verein Chemischer Fabriken)	23842	19 Dec.
Watson, A. C., Christchurch, N.Z. Swingle-tree end	23670	1 Nov. ..	7	23 Jan., 1908.*
Watson, G., and another, Foxton, N.Z. Flax-stripper beating-bar ..	23564	8 Oct. ..	95	31 Oct.*
Watson, R. S., and another, Islington, N.Z. Apparatus for mixing depilatory solutions	23827	13 Dec.
Watts, J. E., Wellington, N.Z. Boot-last	23663	30 Oct. ..	98	14 Nov.*
Webster, A. J., Pirron Yallock, Vic. Milking-bail	22224	20 Dec., 1906 ..	105	12 Dec.
Webster, A. M., Dunedin, N.Z. Self-lubricating loose pulleys ..	23558	1 Oct. ..	98	14 Nov.*
Webster, R. W., and another, Surrey, Eng. (See H. J. West and Co., Limited, No. 23415.)				
West, H. J., and Co., Limited, Surrey, Eng. Bottling-machine. (R. W. Webster and L. Chew)	23415	4 Sept. ..	95	31 Oct.
West, W. L., Waiuku, N.Z. Machine milking-cup	23626	17 Oct. ..	105	12 Dec.
Western Mill and Machine Company, West Berkeley, U.S.A. Stamp and grinding mill	23606	17 Oct.
Westinghouse, G., Pittsburg, U.S.A. Yielding-resistance device ..	23513	24 Sept. ..	95	31 Oct.
Westmoreland, G., Waipiro Bay, N.Z. Kerosene-pump	23584	14 Oct.
Westneat, C. H., Napier, N.Z. Temperature-indicator	23733	18 Nov.
Whitburn, D., Auckland, N.Z. Rabbit-trap	23254	1 Aug. ..	105	12 Dec.*
White, B. W., Napier, N.Z. Spoon	23227	19 Jan. ..	102	28 Nov.
White, F. C., Auckland, N.Z. Kitchen-range	23540	1 Oct. ..	98	14 Nov.
White, T. H., and another, Wellington, N.Z. Suspending and joining overhead-wires	23602	17 Oct. ..	95	31 Oct.*
White, W., North Fitzroy, Vic. Heel	23053	26 June ..	102	28 Nov.
Whitelaw, H. J., and another, Woodville, N.Z. Race-starting machine attachment	23779	3 Dec. ..	2	9 Jan., 1908.*
Wich, F. J., and others, Capetown, South Africa. (See J. T. Hunter, No. 23837.)				
Wiggins, R. A., and another, Christchurch, N.Z. (See W. Wiggins, No. 23726.)				
Wiggins, W., Wellington, N.Z. Milking-machine. (R. A. Wiggins and C. Bristow)	23726	16 Nov. ..	2	9 Jan., 1908.
Wild, C. W., Wellington, N.Z. (See A. A. George, No. 23583.)				
Wilfley, A. R., Denver, U.S.A. Ore-roasting process	23505	23 Sept. ..	95	31 Oct.
Wilkins, F., Auckland, N.Z. Candle holder and extinguisher ..	23625	17 Oct. ..	102	28 Nov.*
Wilkinson, G., and another, Auckland, N.Z. Fencing-wire carrier ..	23710	13 Nov.
Williams, C. T., Dunedin, N.Z. Hanging window-sashes	23868	23 Dec.
Williams, J., London, Eng. Propeller-shaft bearings	23708	13 Nov. ..	2	9 Jan., 1908.

ALPHABETICAL LIST OF APPLICANTS FOR LETTERS PATENT—continued.

Name, Address, and Invention.	Application.		Gazette.	
	No.	Date.	No.	Date.
Williams, W. G., and another, Johannesburg, Trans. Totalisator apparatus	22909	29 May ..	95	31 Oct.*
Willis, W., and another, Napier, N.Z. Draught, &c., excluder ..	23831	16 Dec. ..	10	6 Feb., 1908.
Willson, J. H., Waipawa, N.Z. Gate-hinge	23729	14 Nov. ..	7	23 Jan., 1908.*
Wilson, A. D., Stellenbosch, Cape Colony.. ..	23874	31 Dec.
Wilson, J., Christchurch, N.Z. File	23347	22 Aug. ..	95	31 Oct.
Wilson, T. H., Brisbane, Q. Window-sash adjuster ..	22296	7 Jan. ..	102	28 Nov.
Wilson, T. J., Nelson, N.Z. Soap-box	23864	23 Dec.
Withell, W., Christchurch, N.Z. Aerial machine ..	23651	28 Oct.
Woledge, C. E., Christchurch, N.Z. Collapsible horn for talking-machine	23673	2 Nov.
Wood, A. H., Auckland, N.Z. Wheel for wheel-barrow, &c. ..	23578	8 Oct. ..	95	31 Oct.*
Wood, A. H., Auckland, N.Z. Washing-boiler	23587	10 Oct. ..	95	31 Oct.*
Wood, E., and another, Melbourne, Vic. Mariner's compass (A. F. Smith)	23739	20 Nov. ..	7	23 Jan., 1908.*
Wood, E. J., and another, Castle Bromwich, Eng. Axle-box ..	23709	13 Nov. ..	2	9 Jan., 1908.
Wright, F., and another, Luton, Eng. (See Tress and Co., No. 23554.)				
Wye. (See Van Wye.)				
Wynd, A., and another, Foxton, N.Z. Flax-stripper beating-bar ..	23564	8 Oct. ..	95	31 Oct.*
Youngson, J. M., Clinton, N.Z. Coupling-hook	23659	29 Oct. ..	102 10	28 Nov.* 6 Feb., 1908.
Zabriskie, A., Paterson, U.S.A. Fibre-preparing machine	23815	11 Dec. ..	10	6 Feb., 1908.
"Z" Electric Lamp Syndicate, Limited, London, Eng. Electric-lamp filament. (H. Zerning)	23455	10 Sept. ..	95	31 Oct.
"Z" Electric Lamp Syndicate, Limited. (See J. R. Park, No. 23640.)				
Zerning, H., Halensee, Ger. (See "Z" Electric Lamp Syndicate, Limited, No. 23455.)				
Zerning, H. (See J. R. Park, No. 23640.)				

Alphabetical List of Inventions for Quarter ending 31st December, 1907.

THIS list includes also (1) applications lodged prior to but gazetted during the quarter, (2) complete specifications following provisional specifications accepted and gazetted during the quarter. Where the number and date of the Gazette are omitted, the application has not yet been accepted.

* Denotes a provisional specification.

† Denotes a prior date under section 106 of "The Patents, Designs, and Trade Marks Act, 1889."

ALPHABETICAL LIST OF INVENTIONS.

Invention.	Name.	Application.		Gazette.	
		No.	Date.	No.	Date.
Abrading device	United Shoe Machinery Company	23714	14 Nov. ..	2	9 Jan., 1908.*
Acetylene-gas holder and burner	R. L. H. Murray	23371	23 Aug. ..	95	31 Oct.
Acetylene-generator	G. L. Burton	23527	27 Sept. ..	98	14 Nov.
Acetylene-generator	H. A. Fry	23539	1 Oct. ..	95	31 Oct.*
Acetylene-generator	E. C. Kilgour	23576	10 Oct. ..	95	31 Oct.*
Acetylene-generator	C. Gerber and E. Michaut ..	23668	31 Oct. ..	105	12 Dec.
Advertising device	E. H. Lawton	23706	15 Nov., '06†
Advertising-signs	L. R. Tingey	23526	27 Sept. ..	95	31 Oct.*
Aerated liquids, Draught-fitting, for retailing from bulk	J. Owen	23537	1 Oct.
Aerial machine	W. Withell	23651	28 Oct.
Air-compressor	C. Neumann	23608	17 Oct. ..	2	9 Jan., 1908.
Alarm. (See Electric fire-alarm, Fire-alarm, Railway-crossing alarm.)					
Altazimuth instrument	H. M. Levinge	23800	9 Dec.
Amalgamator	J. Langford	21845	29 Sept., 1906	98	14 Nov.
Animal-cover fastener	A. Blair	23672	29 Oct. ..	7	23 Jan., 1908.
Animal-trap	A. Porter	23674	1 Nov. ..	105	12 Dec.*
Animal-trap	F. Sara	23785	4 Dec. ..	7	23 Jan., 1908.
Antimony, lead, or zinc, Obtaining, from their sulphides	A. P. Gairdner	23609	17 Oct. ..	98	14 Nov.*
Antimony, &c., furnace	W. H. J. Ridley	23533	28 Sept. ..	105	12 Dec.
Artificial fuel	C. J. Hemery	23552	3 Oct. ..	95	31 Oct.*
Axe-head	H. S. Griffiths	22268	3 Jan. ..	2	9 Jan., 1908.
Axle-box	E. J. Wood and G. Carson ..	23709	13 Nov. ..	2	9 Jan., 1908.
Baby-cradle.. ..	T. F. McGarva	23538	1 Oct. ..	98	14 Nov.
Baby-jumper	M. A. Stitt	23756	25 Nov.
Baby-jumper	W. Cusick	23760	26 Nov. ..	7	23 Jan., 1908.*
Bag-fastener	W. Morton	23577	8 Oct. ..	95	31 Oct.*
Bag-filler	T. B. Brock	22376	31 Jan. ..	2 102	9 Jan., 1908. 28 Nov.

ALPHABETICAL LIST OF INVENTIONS—*continued.*

Invention.	Name.	Application.		Gazette.	
		No.	Date.	No.	Date.
Bail. (See Cow-bail, Milking-bail.)					
Balanced door or window ..	P. S. Irwin	23730	14 Nov
Bale. (See Wool-bale.)					
Baled-goods temperature-indicator ..	J. D. McLaurin	23569	10 Oct ..	98	14 Nov.*
Baled-goods temperature-indicator ..	T. D. Cummins	23622	10 April ..	98	14 Nov.
Baled-goods temperature-indicator ..	T. Falvey	23623	19 Oct.
Baled-goods temperature-indicator ..	P. H. Kelly	23644	25 Oct.
Baled-goods temperature-indicator ..	C. H. Westneat	23733	18 Nov.
Baled-goods temperature-indicator ..	E. Moss and E. F. Dombain ..	23741	20 Nov. ..	7	23 Jan., 1908.*
Baled-goods temperature-indicator ..	R. M. Smith	23850	18 Dec. ..	10	6 Feb., 1908.
Bananas, Preparing food from ..	E. Shadgett	22079	20 Nov., 1906	91	17 Oct.
Barbed-wire running device ..	L. N. Ralph	23759	25 Nov.
Basket or parcel strap ..	H. B. Chapman	23720	12 Nov. ..	7	23 Jan., 1908.*
Beating-bar. (See Flax-stripper.)					
Bells, &c., Electric release for ..	A. G. Jackson	23509	24 Sept. ..	95	31 Oct.
Belt. (See Driving-belt.)					
Belt-dressing	G. Beaumont	23485	16 Sept. ..	98	14 Nov.*
Belt-fastener	A. E. Slipper and D. J. Smith ..	23530	25 Sept. ..	95	31 Oct.*
				2	9 Jan., 1908.
Belts, Attaching, to clothing ..	M. Marks	23547	3 Oct. ..	105	12 Dec.*
Bicycle	F. Delsie	23821	10 Dec.
Bicycle-pump fastener	C. H. J. Genet	23769	27 Nov. ..	7	23 Jan., 1908.
Billiard-board	F. B. Clapcott	22164	3 Dec., 1906	95	31 Oct.
Billiard-table	F. W. Cullimore	23875	31 Dec. ..	10	6 Feb., 1908.*
Billing-machine for meters ..	R. W. Gallagher	23551	3 Oct. ..	98	14 Nov.
Blind. (See Sun-blind, Venetian blind.)					
Blocks, &c., from plastic material, Making	Cork Asphalt Limited, and J. W. Walker	22120	27 Nov., 1906	96	14 Nov.
Blow-lamp, Self-heating	W. G. Landells and H. J. Hucksion	23499	20 Nov., 1906†	102	28 Nov.
Board. (See Billiard-board, Washing-board.)					
Boiler. (See Range-boiler, Washing-boiler.)					
Boiler solution	F. Giblin	23330	16 Dec. ..	10	6 Feb., 1908.*
Boiler-tube and tube-plate	P. S. O'Neill	23834	14 Dec. ..	10	6 Feb., 1908.
Bollard. (See Ferro-concrete bollard.)					
Book. (See Cash-receipt book.)					
Book-holder	W. J. and E. S. Henry	21927	17 Oct., 1906	95	31 Oct.
Boot. (See Gum boot.)					
Boot	W. Walkerden	23502	21 Sept. ..	105	12 Dec.*
Boot-burnishing machine	United Machinery Company ..	23715	14 Nov. ..	2	9 Jan., 1908.*
Boot-heel, Interchangeable	W. White	23053	26 June ..	102	28 Nov.
Boot-inseam trimming-machine ..	Nichols-Fifield Shoe Machinery Company	23598	16 Oct. ..	105	12 Dec.
Boot-inseam trimming-machine ..	United Shoe Machinery Company	23811	11 Dec. ..	7	23 Jan., 1908.*
Boot-jack	J. T. Renshaw	23853	16 Dec.
Boot-last	J. E. Watts	23663	30 Oct. ..	98	14 Nov.*
Boot-lasting machine	United Shoe Machinery Company	23597	16 Oct. ..	95	31 Oct.*
Boot-sole squarer	C. Bromley	23690	7 Nov. ..	2	9 Jan., 1908.*
Boots and shoes, Assembling parts of ..	United Shoe Machinery Company	22155	5 Dec., 1906	91	17 Oct.
Boots and shoes, Loading and attaching heels to	United Shoe Machinery Company	22156	5 Dec., 1906	91	17 Oct.
Bottle. (See Vacuum insulated bottle.)					
Bottle-mouth and turn-plug	R. Thomson, A. J. Lording, and W. Howden	23723	15 Nov.
Bottle-stopper, Non-refillable	A. Lyell	23628	21 Oct. ..	98	14 Nov.*
Bottling-machine, Counter-pressure ..	H. J. West and Co., Limited ..	23415	4 Sept. ..	95	31 Oct.
Box. (See Axle-box, Butter-box, Pillar-box.)					
Brace	J. Fisher	23818	7 Dec.
Braces, Razor-strop attachment to ..	H. A. Cornes	23633	23 Oct. ..	102	28 Nov.*
Bracket. (See Spouting-bracket.)					
Brake gear	T. J. Cahill	23832	16 Dec.
Branding-iron. (See Dooking and branding.)					
Branding-machine for boxes, casks, &c. ..	W. J. Green	23417	4 Sept. ..	95	31 Oct.
Bread-cutter	E. O. McGuire and J. Swindale ..	23629	21 Oct. ..	98	14 Nov.*
Bread-making	R. J. Kyle	23702	8 Nov. ..	2	9 Jan., 1908.*
Bricks, Converting burnt clay into Briquettes. (See Tiles.)	M. A. Grant	23147	18 July ..	95	31 Oct.
Broom	S. G. Roseman	23643	25 Oct.
Broom-handle, Attaching, to head ..	S. G. Roseman	23642	25 Oct. ..	102	28 Nov.*
Broom-handle coupling	F. J. Swanston	23470	11 Sept. ..	95	31 Oct.
Broom-handle machine	J. Coulthard	23669	30 Oct. ..	102	28 Nov.*
Broom-handle, Securing	J. Trevelthick	23725	16 Nov. ..	7	23 Jan., 1908.
Bucket. (See Milk-bucket.)					
Bucket-support	S. Campbell and J. S. Gribbon ..	23807	11 Dec.
Burner. (See Acetylene-gas burner, Gas-burner.)					
Burnishing-machine	United Shoe Machinery Company	23715	14 Nov. ..	2	9 Jan., 1908.*
Butter-box	E. Gilshnan	23745	21 Nov.
Butter, Rolling or curling	M. Wannemacher	23616	17 Oct. ..	2	9 Jan., 1908.

ALPHABETICAL LIST OF INVENTIONS—continued.

Invention.	Name.	Application.		Gazette.	
		No.	Date.	No.	Date.
Butter-washing process	V. G. Smith	23861	24 Dec.
Camera	J. Gaut	23665	31 Oct. ..	105	12 Dec.*
Can. (See Milk-can.)
Candle-guttering protector	E. J. Chilton	23776	2 Dec. ..	7	23 Jan., 1908.*
Candle holder and extinguisher	F. Wilkins	23625	17 Oct. ..	102	28 Nov.*
Candle-protector	B. F. H. Dawson	22326	17 Jan. ..	2	9 Jan., 1908.
Carburetter	F. J. Cox	23790	4 Dec., 1906†
Carrier. (See Perch-carrier.)
Case. (See Minnow and tackle case.)
Cash and receipt book	K. R. Macdonald	23483	14 Sept. ..	95	31 Oct.
Cash-register	F. H. Trevellian	23586	14 Oct. ..	102	28 Nov.
Cask-tilting appliance	G. McNab	23863	24 Dec.
Catcher for stripper	F. R. Simmonds and W. Seifert	23755	23 Nov. ..	7	23 Jan., 1908.*
Catcher for stripper	F. R. Simmonds and W. Seifert	23876	31 Dec.
Cattle-food, Flax-waste as	W. G. Richardson	22114	23 Nov., 1906	91	17 Oct.
Cattle-food, Flax-waste as	W. G. Richardson	23721	12 Nov. ..	7	23 Jan., 1908.*
Cauterizing device. (See Cutting device.)
Celluloid, Rendering, unflammable	P. Marino	23699	5 Nov. ..	2	9 Jan., 1908.
Centrifugal machine, Shaft-mounting for	L. Burrell and D. H. Burrell, jun.	22642	3 April ..	91	17 Oct.
Centrifugal thickening and separating machine	P. Browne	23829	16 Dec. ..	10	6 Feb., 1908.*
Chaff-cutter feed gear	H. W. Mears	23531	30 Sept. ..	95	31 Oct.*
Chaff-cutter wheel, Securing knives to	W. Gale and L. Gunther	23613	17 Oct. ..	7	23 Jan., 1908.*
Chain. (See Sprocket-chain.)
Chair	R. Muir	23802	5 Dec. ..	7	23 Jan., 1908.*
Chart. (See Dress-cutting chart.)
Child, Teaching, to walk	M. A. Stitt	23756	25 Nov.
Child, Teaching, to walk	W. Cusick	23760	26 Nov. ..	7	23 Jan., 1908.*
Chimney	F. Tonks	23793	5 Dec. ..	10	6 Feb., 1908.*
Churn and washing-machine	J. T. Stewart	23580	11 Oct.
Clamp. (See Coupler-clamp.)
Clay, burnt, Converting, into bricks	M. A. Grant	23147	18 Ju y ..	95	31 Oct.
Cleaner. (See Knife-cleaner, Pot-cleaner, Tramway-rail cleaner.)
Clearing-machine for land, roads, &c.	J. von Bertouch	23237	20 Aug., 1906†	102	28 Nov.
Clicking-press	United Shoe Machinery Company	22067	15 Nov., 1906	102	28 Nov.
Closet. (See Water-closet.)
Clothes-drainer	D. L. Mackenzie	23738	18 Nov.
Clothes-line	T. Fleming and W. Lucena	22124	28 Nov., 1906	105	12 Dec.
Clothes-line	J. A. Barker	23869	30 Dec.
Clothes-line and fasteners	A. L. J. Tait	23641	22 Oct. ..	102	28 Nov.*
Clothes-peg	J. J. Taucher	23735	18 Nov.
Clothing, Attaching belts to	M. Marks	23547	3 Oct. ..	105	12 Dec.*
Clutch. (See Differential clutch.)
Coal, Loading and unloading	G. C. Chadwick	23862	24 Dec. ..	10	6 Feb., 1908.
Collar-adjuster and tie-holder	E. M. Molyneux	23645	22 Oct.
Compass. (See Mariner's compass.)
Compressor. (See Air-compressor.)
Concentrator. (See Gold-concentrator.)
Concrete. (See Ferro-concrete.)
Concrete floor	R. H. Skipwith	23794	5 Dec. ..	10	6 Feb., 1908.*
Concrete pole	F. Oakden	23791	29 Nov. ..	10	6 Feb., 1908.*
Cooking-vessel	T. Sutherland	22195	13 Dec., 1906	91	17 Oct.
Cool chamber for preserving goods	J. D. Douglas	23636	21 Oct.
Cooking-vessel, Preventing burning of	T. Sutherland	22195	13 Dec., 1906	91	17 Oct.
Cord. (See Sash-cord.)
Cotton-reel	H. J. Cunnington and R. C. Bishop	23823	12 Dec.
Coulter-clamp	G. Gray	21910	13 Oct., 1906	91	17 Oct.
Coupling. (See Broom-handle coupling, Railway-coupling.)
Coupling-hook	J. M. Youngson	23659	29 Oct. ..	102 10	28 Nov.* 6 Feb., 1908.
Cover. (See Animal-cover, Go-cart cover, Haystack-cover, Horse-cover, Tire-cover.)
Cow-bail	A. O. Penwarden	23447	11 Sept. ..	95	31 Oct.
Cradle. (See Baby-cradle.)
Crate	S. A. Bradley	23857	23 Dec.
Crushing-machine	G. H. Fraser	23605	17 Oct.
Cuff fastener and protector	E. G. Langton	23528	27 Sept. ..	95	31 Oct.*
Cultivator, Subsoil, for ploughs	R. M. Kemp	23517	21 Sept. ..	98	14 Nov.
Curtain-pole lifter	W. Curtis	23561	5 Oct. ..	98	14 Nov.
Cutter. (See Bread-cutter, Chaff-cutter, Mechanical cutter, Mitre-cutter.)
Cutting-machine	Konomax Rock-drill Syndicate, Limited	23468	13 Sept. ..	95	31 Oct.
Cutting and cauterizing device	S. J. Phillips	23683	7 Nov. ..	105	12 Dec.*
Cycle-pump	A. Linard	23740	2 Jan.†	10	6 Feb., 1908.
Cycles, Toe-strap for	C. W. Gordon	23682	6 Nov. ..	2	9 Jan., 1908.*
Cylinder. (See Hot-water cylinder.)
Cypher-system check	H. C. Newton and A. G. M. Michell	23783	5 Aug.†

ALPHABETICAL LIST OF INVENTIONS—*continued.*

Invention.	Name.	Application.		Gazette.	
		No.	Date.	No.	Date.
Damper. (See Grate-damper.)					
Depilatory solution-mixing apparatus ..	R. Dixon and R. S. Watson ..	23827	13 Dec.
Despatch system, Pneumatic ..	The Lamson Pneumatic Tube Company, Limited	23572	6 Nov., 1906†	105	12 Dec.
Detector. (See Temperature-detector.)					
Differential clutch, Expanding ..	G. T. and H. H. Stewart ..	23595	15 Oct. ..	105	12 Dec.
Dinner-plate ..	W. N. Champion ..	23648	23 Oct.
Disc. (See Plough-disc.)					
Disinfecting and washing fluid ..	E. J. Graveson ..	23778	2 Dec.
Disinfecter and insect-destroyer ..	T. Bolton ..	23705	13 Nov.
Docking and branding iron ..	H. Brown ..	23693	8 Nov. ..	2	9 Jan., 1908.*
Docking and branding iron ..	H. L. Finnis ..	23826	2 Dec.
Docking-iron ..	H. L. Finnis ..	23694	9 Nov. ..	105	12 Dec.*
Door and gate holder and controller ..	H. S. Marks ..	22223	20 Dec., 1906	105	12 Dec.
Door-balance. (See Balanced door.)					
Dough-dividing machine ..	J. Baker and Sons, Limited ..	23824	8 May†
Dough-working apparatus ..	Sir W. Palmer, Bart., and F. E. Blackmore	23820	7 Dec.
Drains, &c., Ventilating-cover for ..	J. Smart ..	22322	17 Jan. ..	105	12 Dec.
Drainage junction and vent-pipe Drainer. (See Clothes-drainer.)	R. M. Smith ..	23777	2 Dec. ..	7	23 Jan., 1908.*
Draining-table attachment to coppers, tubs, &c.	J. H. McMahon ..	23562	5 Oct. ..	95	31 Oct.
Draught-equaliser ..	Millar's Harvester Company, Limited	23627	17 Oct. ..	105	12 Dec.
Draught, &c., excluder ..	J. Humphreys and W. Willis ..	23831	16 Dec. ..	10	6 Feb., 1908*
Dress-cutting chart ..	L. Roberts ..	21547	1 Aug., 1906	95	31 Oct.
Dress-cutting chart ..	L. Roberts ..	22046	12 Nov., 1906	95	31 Oct.
Dress-cutting chart ..	L. Roberts ..	22047	12 Nov., 1906	95	31 Oct.*
Dress-cutting chart ..	J. T. Hunter ..	23621	18 Oct. ..	98	14 Nov.*
Drill. (See Rock-drill.)					
Driving-belts, Forming and connecting ends of	L. Rudemann ..	23149	18 July ..	95	31 Oct.
Dust, draught, and rain excluder ..	J. Betty ..	23786	4 Dec. ..	7	23 Jan., 1908.*
Ear-marking. (See Pliers.)					
Egg-carrier ..	H. R. Radford ..	23851	18 Dec. ..	7	23 Jan., 1908.*
Electric attachment ..	P. Rafferty ..	23704	12 Nov. ..	105	12 Dec.*
Electric fire-alarm ..	J. W. Butterworth ..	23647	23 Oct. ..	95	31 Oct.*
Electric insulating composition ..	J. P. Rasmussen ..	23771	27 Nov. ..	7	23 Jan., 1908.*
Electric-lamp filaments ..	J. R. Park ..	23640	22 Oct. ..	102	28 Nov.*
Electric-lamp filaments ..	"Z" Electric Lamp Syndicate, Limited	23455	10 Sept. ..	95	31 Oct.
Electric-releasing mechanism for bells, &c.	A. G. Jackson ..	23509	24 Sept. ..	95	31 Oct.
Electrical apparatus for producing nitro-oxides	I. Moscicki ..	23242	1 Aug. ..	98	14 Nov.
Elevator ..	J. H. and J. D. Muir ..	23839	18 Dec.
Engine. (See Gas-engine, Internal-combustion engine, Marine engine, Rotary engine.)					
Envelope ..	R. A. O. Walter ..	23634	23 Oct. ..	102	28 Nov.*
Envelope-opener ..	A. L. J. Tait ..	23797	5 Dec.
Explosive ..	N. Ceipek ..	23571	10 Oct. ..	2	9 Jan., 1908.
Extension ladder ..	J. C. Benn ..	23866	30 Dec.
Fastener. (See Animal-cover fastener, Bag-fastener, Belt-fastener, Bicycle-pump fastener, Clothes-line fastener, Cuff-fastener, Horse-cover fastener, Lock-fastening, Spring-fastener.)					
Fastening inserter, Boot- ..	United Shoe Machinery Company	22060	15 Nov., 1906	102	28 Nov.
Fastening inserter, Boot- ..	United Shoe Machinery Company	22222	20 Dec., 1906	98	14 Nov.
Feed gear for chaff-cutter ..	H. W. Mears ..	23531	30 Sept. ..	95	31 Oct.*
Feeding mechanism for saw-bench ..	E. M. Edkins ..	23591	15 Oct. ..	102	28 Nov.
Fencing-clip twister ..	C. F. Overton ..	23849	19 Dec.
Fencing-link ..	E. Hayes ..	23727	16 Nov. ..	2	9 Jan., 1908.*
Fencing-standard ..	H. Stephenson ..	23535	1 Oct. ..	98	14 Nov.
Fencing-standard ..	A. I. Carr ..	23757	25 Nov. ..	7	23 Jan., 1908.
Fencing-wire carrier ..	J. Ferguson and G. Wilkinson ..	23710	13 Nov.
Ferro-concrete bollard ..	R. F. Moore ..	23544	30 Sept. ..	102	28 Nov.
Fibre. (See Flax-fibre, Wool-fibre.)					
Fibre-dresser ..	J. C. Drewet ..	23844	17 Dec. ..	10	6 Feb., 1908*
Fibre-machine ..	R. Millis ..	23817	7 Dec. ..	10	6 Feb., 1908.*
Fibre-preparing machine ..	A. Zabriskie ..	23815	11 Dec. ..	10	6 Feb., 1908.
Field-gate ..	F. Russell ..	22874	22 May ..	91	17 Oct.
Filament for incandescent lamp ..	"Z" Electric Lamp Syndicate, Limited	23455	10 Sept. ..	95	31 Oct.
Filaments for incandescent lamps, Manufacture of	J. R. Park ..	23640	22 Oct. ..	102	28 Nov.*
File. (See Paper-file, Rasp.)					
Filler. (See Bag-filler.)					

ALPHABETICAL LIST OF INVENTIONS—*continued.*

Invention.	Name.	Application.		Gazette.	
		No.	Date.	No.	Date.
Fire-alarm. (See Electric fire-alarm.)					
Fire-alarm	A. J. Roycroft	23858	24 Dec.
Fire-grate	W. J. Dunlop	23808	11 Dec.	10	6 Feb., 1908.*
Flag. (See Traffic-signal flag.)					
Flashlight apparatus	B. Jeffery	23653	28 Oct.	102	28 Nov.*
Flax. (See also Fibre, <i>Phormium tenax</i> .)					
Flax-catcher. (See Catcher.)					
Flax-fibre, Bleaching	D. L. Turner	21460	17 July, 1906	91	17 Oct.
Flax-fibre, Bleaching	H. A. Nicholson	23711	13 Nov.	2	9 Jan., 1908.
Flax-dressing	F. Henry	21685	20 Aug., 1906	105	12 Dec.
Flax-machine	F. R. Simmonds and W. Seifert	23754	23 Nov.	7	23 Jan., 1908.*
Flax-machine	F. R. Simmonds and W. Seifert	23755	23 Nov.	7	23 Jan., 1908.*
Flax-machine	American Linen Company	23814	11 Dec.	10	6 Feb., 1908.
Flax-stripper beater, Trueing surface of ..	W. P. McIndoe	23463	14 Sept.	98	14 Nov.
Flax-stripper beating-bar	G. Watson and A. Wynd	23564	8 Oct.	95	31 Oct.*
Flax-tying	G. E. Partridge	23534	28 Sept.	95	31 Oct.*
Flax-waste as cattle-food, Preparing	W. G. Richardson	22114	23 Nov., 1906	91	17 Oct.
Flax-waste as cattle-food, Preparing	W. G. Richardson	23721	12 Nov.	7	23 Jan., 1908.*
Floor. (See Concrete floor.)					
Food. (See Bananas, Grain, Cattle-food.)					
Frame. (See Tie-frame.)					
Friction-hoist	E. Henshall	23789	4 Dec.
Fruit, Fixing colour of, preparatory to drying	S. A. Bradley	23855	23 Dec.
Fruit-preserving	J. C. L. Campbell	23825	10 Dec.
Fuel	T. Parker	22945	4 June	102	28 Nov.
Fuel. (See Artificial fuel.)					
Fuel-manufacture	C. J. Hemery	23552	3 Oct.	95	31 Oct.*
Fuel-production	T. Parker	23630	22 Oct.	102	28 Nov.
Furnace for treating refractory ores	C. Suggate and W. E. Cayley-Alexander	22019	6 Nov., 1906	98	14 Nov.
Furnace. (See Antimony-ore furnace, Refuse-furnace, Tiring-furnace.)					
Gag. (See Horse-gag.)					
Game. (See Military game.)					
Gas. (See Acetylene-gas, Producer-gas.)					
Gas-burner	C. C. Wakefield	23501	21 Sept.	95	31 Oct.
Gas-burner	R. C. Gardiner	23799	7 Dec.	10	6 Feb., 1908.
Gas-engine exhaust-utilisation	P. A. Le Marquand	23691	7 Nov.	2	9 Jan., 1903.*
Gas-flashlight apparatus	B. Jeffery	23653	28 Oct.	102	28 Nov.*
Gas-mantle	The Deutsche Gasglühlicht Aktiengesellschaft	23762	26 Nov.	10	6 Feb., 1908.
Gas-turbine	G. E. Dod	23684	7 Nov.	2	9 Jan., 1908.
Gate. (See Field-gate.)					
Gate-closer	C. C. Bullock	23788	4 Dec.
Gate-hinge	J. H. Willson	23729	14 Nov.	7	23 Jan., 1908.*
Gate-holder. (See Door-holder.)					
Gate-lock	J. R. Mallyon	23615	17 Oct.	105	12 Dec.
Gear. (See Brake gear, Feed gear, Salvage gear, Sprocket and chain gear.)					
Generator. (See Acetylene-generator.)					
Girth and surcingle	R. G. Saxby	23474	16 Sept.	105	12 Dec.*
Glass. (See Lamp-glass, Tumbler.)					
Globe. (See Lamp-globe.)					
Go-cart cover	J. Clegg	23828	13 Dec.	10	6 Feb., 1908.
Gold and silver saver	J. Langford	21845	29 Sept., 1906	98	14 Nov.
Gold-concentrator	I. Lewis	23478	11 Sept.	95	31 Oct.*
Gold-saving appliance	H. D. Mudie	23873	31 Dec.	10	6 Feb., 1908.*
Grain, &c., treatment	D. Finkler	23713	14 Nov.	2	9 Jan., 1908.
Grate. (See Fire-grate.)					
Grate-damper	F. J. T. Brown	23486	16 Sept.	98	14 Nov.*
Grease-extractor. (See Tallow-extractor.)					
Grease-trap	J. Ross	23480	17 Sept.	95	31 Oct.
Grinding-mill, Lining for	J. R. Brown	23487	19 Sept.	95	31 Oct.
Grinding mill and stamp	The Western Mill and Machine Company	23606	17 Oct.
Grindstone	J. S. Dreadon	23749	21 Nov.	7	23 Jan., 1908.*
Guard. (See Tobacco-box guard.)					
Gum-boot sole	W. Clark	23787	4 Dec.	7	23 Jan., 1908.*
Gum, Electrically purifying and distilling	A. Ashcroft and C. Richardson ..	22137 22359	27 Nov., 1906 23 Jan.	91 102	17 Oct. 28 Nov.
Hames, Attaching, to horse-cover	G. Parrish	23638	24 Oct.	102	28 Nov.*
Handle. (See Broom-handle, Tap-handle.)					
Harness. (See Hames, Horse-collar, Saddle-tree.)					
Harness, Back-band fastening for	N. de Lautour	23795	4 Dec.	10	6 Feb., 1908.*
Harrow	J. Macalister	22163	1 Dec., 1906	105	12 Dec.
Hat. (See Straw hat.)					
Hat-box. (See Trunk and hat-box.)					
Hat-stack cover	L. Dunne	23579	11 Oct.	102	28 Nov.

ALPHABETICAL LIST OF INVENTIONS—continued.

Invention.	Name.	Application.		Gazette.	
		No.	Date.	No.	Date.
Heater. (See Liquid-heater.)					
Heel. (See Boot-heel, Rubber heel.)					
Hinge. (See Gate-hinge.)					
Hoist. (See Friction-hoist.)					
Holder. (See Acetylene-gas holder, Book-holder, Candle-holder, Door and gate holder, Milk-bucket holder, Razor-blade holder, Ticket-holder, Tie-holder.)					
Hook. (See Coupling-hook.)					
Hop-picker	E. Clemens Horst Company ..	23717	14 Nov.
Horn. (See Talking-machine horn.)					
Horse. (See Trotting-horse.)					
Horse-collar, Attaching hames to	G. Parrish	23638	24 Oct.	102	28 ¹ / ₂ Nov.*
Horse-cover fastening	W. G. Grave	23742	19 Nov.
Horse-gag	C. E. Keast	23728	14 Nov.	7	23 Jan., 1908.*
Horse-shoe-making machine	R. J. Fry	23840	19 Dec.
Hospital	W. J. Roche	23703	6 Dec., 1906†
Hot-water cylinder	T. R. Christie	23435	5 ¹ / ₂ Sept.	95	31 Oct.
Hurdle. (See Racing-hurdle.)					
Hydraulic-nozzle operator	W. O'Brien, jun., and F. W. Knight	23267	7 Aug.	102	28 Nov.
Hydraulic pump	E. de Cossey	23624	17 Oct.	102	28 Nov.*
Hydro-extractor. (See Tallow-extractor.)					
Ice-production	Seay International Ice and Refrigeration Machinery Company	23780	3 Dec.	7	23 Jan., 1908.
Implement. (See Road-making implement.)					
Indicator. (See Baled-goods temperature-indicator, moisture-indicator.)					
Inseam. (See Boot-inseam.)					
Insect-destroyer. (See Disinfecter.)					
Internal-combustion engine	R. D. Long	23664	30 Oct.	102	28 Nov.*
Internal-combustion engine	D. Roberts and C. James	23687	7 Nov.	2	9 Jan., 1908.
Internal-combustion engine-valve	T. D. Sinclair	23744	21 Nov.	7	23 Jan., 1908.*
Internal-combustion engine	D. Roberts	23812	11 Dec.	10	6 Feb., 1908.
Internal-combustion engine	D. Roberts	23813	11 ¹ / ₂ Dec.	10	6 Feb., 1908.
Iron, Electro-deposition of	S. O. Cowper-Coles	23686	18 Dec., 1906†
Iron. (See Docking-iron.)					
Jack. (See Lifting-jack, Shoe-machine jack.)					
Kerosene-pump	G. Westmoreland	23584	14 Oct.
Keyless lock	S. J. Nielsen	23154	18 July	95	31 Oct.
Kitchen-range	F. C. White	23540	1 Oct.	98	14 Nov.
Knife-cleaner	F. Davies	23619	18 ¹ / ₂ Oct.	98	14 Nov.*
Ladder. (See Extension ladder.)					
Lamp. (See Blow-lamp, Electric lamp.)					
Lamp-glass, Preventing cracking of	E. R. S. Larbaestier	23574	10 Oct.	102	28 Nov.
Lamp-globe attachment	A. Jarrett	23550	3 Oct.
Land-clearing machine	J. von Bertouch	23237	20 Aug., 1906†	102	28 Nov.
Last. (See Boot-last.)					
Lasting-machine. (See Boot-lasting.)					
Lawn-sprayer	G. E. Munns	23768	27 Nov.	2	9 Jan., 1908.*
Lead or zinc and antimony, Obtaining, from their sulphides	A. P. Gairdner	23609	17 Oct.	98	14 Nov.*
Leaf-turner. (See Music-leaf turner.)					
Lids of tins, Securing	R. M. Baddeley	23676	21 Nov.	105	12 Dec.
Lifter. (See Curtain-pole lifter.)					
Lifting-jack	J. E. Crowle	23422	8 Oct., 1906†	95	31 Oct.
Lifting-jack	A. McMaster	23600	16 Oct.	98	14 Nov.*
Light. (See Flashlight.)					
Lining for grinding-mill	J. R. Brown	23487	19 Sept.	95	31 Oct.
Liquefying milk-froth	H. P. Mortensen and N. P. Nielsen	23809	11 Dec.
Liquids. (See Aerated liquids.)					
Liquid-heater	A. T. Pfeiff	23089	4 July	102	28 Nov.
Lock. (See Gate-lock, Keyless lock.)					
Lock-fastening	T. C. McLennan	23660	28 Oct.	102	28 Nov.*
Lock-nut	W. E. Chamberlain	23582	12 Oct.	95	31 Oct.*
Lubricating loose pulley	A. M. Webster	23558	1 Oct.	98	14 Nov.*
Mantle. (See Gas-mantle.)					
Marine engine	J. N. Caught	23843	19 Dec.
Mariner's compass	H. L. Davis and E. Wood	23739	20 Nov.	7	23 Jan., 1908.*
Measured-charge delivery-device	W. McEachern	23296	6 Feb.	2	9 Jan., 1908.
Mechanical cutter for flexible materials..	R. J. Brunt, P. V. Sharp, and J. Burns	23650	29 Oct.	2	9 Jan., 1908.*
Metal. (See Sheet-metal.)					
Metal and concrete wall-construction	C. Rosegger	23724	13 Nov.
Metal, Moulding and casting	J. B. Shacklock	23370	23 Aug.	95	31 Oct.
Metal-plate, Upsetting edges of	G. and C. Hoskins, Limited	23772	26 Nov.	7	23 Jan., 1908

ALPHABETICAL LIST OF INVENTIONS—continued.

Invention.	Name.	Application.		Gazette.	
		No.	Date.	No.	Date.
Metal-sheet piling	A. A. Friestedt	23603	17 Oct. ..	105	12 Dec.
Metallic letters and signs	L. R. Tingey	23526	27 Sept. ..	95	31 Oct.*
Metals: Extraction from ores.. .. .	H. Herrenschmidt	23546	30 Sept. ..	7	23 Jan., 1908.
Metals: Extraction from ores.. .. .	W. T. Smith	23758	25 Nov.
Meter, Billing-machine for	R. W. Gallagher	23551	3 Oct. ..	98	14 Nov.
Military game or toy	W. H. Cornford	23589	12 Oct. ..	105	12 Dec.*
Milk-bucket holder	T. S. Royds	23519	16 Sept. ..	98	14 Nov.*
Milk-can	R. Dunkley and W. H. Boyens..	23617	18 Oct.
Milk-can, Float and lid for	F. H. Croucher	23555	3 Oct.
Milk-cooler	L. Taylor and A. C. Gardiner ..	23719	14 Nov. ..	7	23 Jan., 1908.*
Milk, Emulsifying	J. V. M. Risberg	23836	18 Dec.
Milk-froth, Liquefying	H. P. Mortensen and N. P. Nielsen	23809	11 Dec.
Milking-bail.. .. .	A. J. Webster	22224	20 Dec., 1906	105	12 Dec.
Milking-machine	(W. H. Lawrence and R. Ken- nedy)	23542	30 Sept. ..	102	28 Nov.
Milking-machine	W. Wiggins	23726	16 Nov. ..	2	9 Jan., 1908.
Milking-machine	A. Smail, jun.	23770	25 Nov.
Milking-machine teat-cup	A. Gillies	22473	28 Feb. ..	95	31 Oct.
Milking-machine teat-cup	W. L. West	23626	17 Oct. ..	105	12 Dec.
Milking-machine teat-cup mouthpiece ..	S. Coleman and A. J. O. Slight..	23657	29 Oct. ..	102	28 Nov.*
Mill. (See Grinding-mill.)
Mineral-separating	A. D. Wilson	23874	31 Dec.
Minnow and tackle case	C. C. Moffet	23559	30 Sept. ..	95	31 Oct.*
Mitre-cutter	R. Dunne	23680	2 Nov. ..	105	12 Dec.*
Moisture-indicator	J. Searle	23639	24 Oct. ..	105	12 Dec.
Mono-rail. (See Railway carriage and track.)
Motor-vehicle wheel	W. Haslam	23678	6 Nov. ..	2	9 Jan., 1908.*
Music-leaf turner	J. R. Mallyon	23614	17 Oct. ..	98 10	14 Nov.* 6 Feb., 1908.
Nitrogen-compound manufacture ..	Stickstoffwerke G.m.b.H. ..	23859	25 June†
Nitro-oxides, Producing	I. Moscicki	23242	1 Aug. ..	98	14 Nov.
Noxious weed. (See Willow, &c.)
Nozzle. (See Hydraulic nozzle.)
Nut. (See Lock-nut.)
Oil-vaporiser	J. W. Sutton	23810	11 Dec. ..	10	6 Feb., 1908.
Opener. (See Envelope-opener.)
Ore, Extracting metals from	H. Herrenschmidt	23546	30 Sept. ..	7	23 Jan., 1908.
Ore, Extracting metals from	W. T. Smith	23758	25 Nov.
Ore-roasting	A. R. Wilfley	23505	23 Sept. ..	95	31 Oct.
Ore roasting and sintering	F. Bennitt	23599	16 Oct. ..	105	12 Dec.
Ore. (See Zinc-lead ore.)
Ore-treatment	A. Soderling	23764	27 Nov. ..	7	23 Jan., 1908.
Ores, Separating liquids from	W. A. Caldecott	22513	6 March ..	2	9 Jan., 1908.
Ores, Treating refractory	C. Suggate and W. E. Cayley- Alexander	22019	6 Nov., 1906	98	14 Nov.
Overhead wires, Suspending and joining	T. H. White and J. A. Jamieson..	23602	17 Oct. ..	95	31 Oct.*
Paper-file	J. Wilson	23347	22 Aug. ..	95	31 Oct.
Parcel-strap. (See Basket-strap.)
Pattern-chart. (See Dress-chart.)
Paving material	A. H. Korth	23408	3 Sept. ..	102	28 Nov.
Peeler. (See Potato-peeler.)
Peg. (See Clothes-peg.)
Perambulator	J. Ford	23871	30 Dec.
Perch-carrier	L. O. Hooker	22104	23 Nov., 1906	91	17 Oct.
Perforating-machine	Monotype Machine (Colonial Patents) Syndicate, Limited ..	23853	18 Dec.
Phormium tenax, Preparing fibre from	R. Millis	23520	25 Sept. ..	98	14 Nov.*
Pick-head	F. Fraser	23707	13 Nov. ..	2	9 Jan., 1908.
Picture-hanging attachment	C. E. Turner	23737	19 Nov. ..	7	23 Jan., 1908.*
Picture-support	A. Siddall	23688	7 Nov. ..	105	12 Dec.
Piling. (See Metal-sheet piling.)
Pillar-box time-indicator	H. W. Earp-Thomas	23689	7 Nov. ..	105	12 Dec.*
Pipe. (See Drainage-pipe.)
Pipe-junction	G. Inglis	23588	12 Oct. ..	95	31 Oct.*
Pipe-junction chamber	R. M. Smith	23677	6 Nov. ..	105	12 Dec.
Plastic materials, Making blocks, &c., from	Cork Asphalt, Limited, and J. W. Walker	22120	27 Nov., 1906	98	14 Nov.
Plate. (See Dinner-plate.)
Pliers for ear-marking sheep, &c. ..	A. S. Hudson.. .. .	22487	28 Feb. ..	2	9 Jan., 1908.
Plough	J. Stevenson	22005	3 Sept. ..	102	28 Nov.
Plough-disc	P. Speirs	23446	11 Sept. ..	95	31 Oct.
Plough, Subsoil cultivator for	R. M. Kemp	23517	21 Sept. ..	98	14 Nov.
Pneumatic-despatch system	Lamson Pneumatic Tube Company, Limited	23572	6 Nov., 1906†	105	12 Dec.
Pole. (See Concrete pole, Curtain-pole, Trolley-pole.)
Poncho	F. N. Jones	23656	29 Oct. ..	102	28 Nov.*
Postage-stamp vendor	A. Parker	23632	23 Oct. ..	102	28 Nov.*

ALPHABETICAL LIST OF INVENTIONS—continued.

Invention.	Name.	Application.		Gazette.	
		No.	Date.	No.	Date.
Pot-cleaner	A. L. J. Tait	23798	5 Dec. ..	10	6 Feb., 1908.*
Potato cleaning and classing	E. Vague	23698	6 Nov.
Potato-peeler	W. M. Norrie	21941	19 Oct., 1906	95	31 Oct.
Power, Economical form of	D. Brisbane	23503	19 Sept. ..	102	28 Nov.*
Power-transmission gearing	The Butlin Gear, Limited	23553	3 Oct. ..	98	14 Nov.
Preserving fruit. (See Fruit-preserving.)					
Preserving goods in cool chamber	J. D. Douglas	23636	21 Oct.
Press. (See Clicking-press, Wool-press.)					
Producer-gas manufacture	W. J. Crossley and T. Rigby	23784	4 Dec. ..	10	6 Feb., 1908.
Propeller. (See Screw-propeller.)					
Propeller-shaft construction	J. Williams	23708	13 Nov. ..	2	9 Jan., 1908.
Protector. (See Candle-protector, Cuff-protector, Rubber-heel protector, Tire-protector.)					
Pulley	A. M. Webster	23558	1 Oct. ..	98	14 Nov.*
Pulley. (See Lubricating loose pulley, Variable-speed pulley.)					
Pulse. (See Grain.)					
Pump. (See Cycle-pump, Kerosene-pump, Vacuum-pump.)					
Pump, Hydraulic	E. de Cossey	23624	17 Oct. ..	102	28 Nov.*
Puncture-discoverer	F. H. Morton	23567	20 Nov. ..	2	9 Jan., 1908.*
Rabbit-trap	D. Whitburn	23254	1 Aug. ..	105	12 Dec.*
Rabbit-trap	D. Lewers and F. S. Greer	23767	27 Nov. ..	7	23 Jan., 1908.
Race-starter	F. S. Stace and H. J. Whitelaw	23779	3 Dec. ..	2	9 Jan., 1908.*
Racing-hurdle	A. J. Sorenson	23618	15 Oct. ..	105	12 Dec.
Rail. (See Tramway-rail.)					
Railway carriage and track	A. E. Bent and G. W. Stewart	23845	20 Dec.
Railway-carriage ventilator	A. Peddie, W. E. Pitt, and D. M. Fea	23841	19 Dec.
Railway-coupling	Lewis Automatic Coupling Company, Limited	23743	21 Nov. ..	10	6 Feb., 1908.
Railway-crossing alarm	J. W. Mardon and G. Hudson	23801	9 Dec.
Railway tipping-wagon	P. Cody	23846	20 Dec.
Range. (See Kitchen-range.)					
Range-boiler	W. Dixey	23522	25 Sept. ..	95	31 Oct.*
Rasp or file	W. P. Notcutt	23685	7 Nov. ..	105	12 Dec.
Razor	W. E. Hughes	23206	25 July ..	95	31 Oct.
Razor-blade holder	G. F. Double and E. S. Quicke	23477	16 Sept. ..	95	31 Oct.*
Razor-strop attachment to braces	H. A. Cornes	23633	23 Oct. ..	102	28 Nov.*
Record-strip composing-machine	Monotype Machine (Colonial Patents) Syndicate, Limited	23852	18 Dec.
Recorder. (See Vote-recorder.)					
Reel. (See Cotton-reel.)					
Refuse-furnace	F. P. Rudder	23860	24 Dec.
Register. (See Cash-register.)					
Resilient vehicle-wheel	T. J. McBride	23512	24 Sept. ..	95	31 Oct.
Resistance device, Yielding	G. Westinghouse	23513	24 Sept. ..	95	31 Oct.
Ridger and sower	A. Sterrie	23751	20 Nov. ..	7	23 Jan., 1908.*
Road-making implement	J. McHallick	23805	10 Dec. ..	10	6 Feb., 1908.*
Road-vehicle, Draught-equaliser for	Millar's Harvester Company, Limited	23627	17 Oct. ..	105	12 Dec.
Rock-drill	W. C. Stephens	23575	10 Oct. ..	102	28 Nov.
Rock-drill chuck	E. S. Baldwin and H. H. Rayward	23280	9 Aug. ..	102	28 Nov.
Rock-drill, Fluid-actuated	Konomax Rock-drill Syndicate, Limited	23467	13 Sept. ..	95	31 Oct.
Rock-drilling machine and water-spray therefor	Konomax Rock-drill Syndicate, Limited	23466	13 Sept. ..	95	31 Oct.
Rolling-stock wheel	S. P. Evans	23700	9 Nov. ..	2	9 Jan., 1908.
Roofing. (See Sheet-metal roofing.)					
Roofing	J. H. Beamish	23865	30 Dec.
Roofing-tile, Interlocking	D. H. Batchen	23570	10 Oct. ..	102	28 Nov.
Rotary engine	J. Sharp, C. Domars, F. Dedden, and R. W. Fraser	23666	31 Oct. ..	102	28 Nov.*
Rotary fluid-engine	J. S. Alcorn	23753	22 Nov. ..	7	23 Jan., 1908.
Rubber-heel protector	T. Read	22077	16 Nov., 1906	102	28 Nov.
Rubber, Utilising waste	A. Gentzsch	22159	2 Feb., 1906	91	17 Oct.
Rubber, Utilising waste	A. Gentzsch	22160	5 Dec., 1906	91	17 Oct.
Rudder. (See Ship's rudder.)					
Saddle-tree for harness	H. W. Downing	23637	24 Oct.
Salvage gear	A. Hedley	23867	23 Dec.
Sash. (See Window-sash.)					
Sash-adjuster	T. H. Wilson	22296	7 Jan. ..	102	28 Nov.
Sash-cord securer	H. M. Hardy	23782	4 Dec. ..	10	6 Feb., 1908.
Saw-bench: Feeding mechanism	E. M. Edkins	23591	15 Oct. ..	102	28 Nov.
Saw-bench gauge	N. L. Nicholson	23601	16 Oct. ..	105	12 Dec.
Scaffolding	G. E. Humphries	22166	6 Dec., 1906	91	17 Oct.
Scaffolding	P. Magnus	23541	2 Oct. ..	95	31 Oct.*
Scaffolding-bracket	G. R. Hale	22747	29 April ..	2	9 Jan., 1908.
School-slate	J. A. Dewhirst	23806	10 Dec. ..	2	9 Jan., 1908.**

ALPHABETICAL LIST OF INVENTIONS—continued.

Invention.	Name.	Application.		Gazette.	
		No.	Date.	No.	Date.
Screw-driver	T. Cree	23732	18 Nov. ..	7	23 Jan., 1908.*
Screw-propeller	A. McCorkindale	23701	9 Nov. ..	10	6 Feb., 1908.*
Sea-sickness cure	W. A. Cooke	23566	8 Oct. ..	98	14 Nov.
Seed-sower	H. A. F. Steffens	23585	14 Oct. ..	95	31 Oct.*
Separation of liquids from crushed-ore products	W. A. Caldecott	22513	6 March ..	2	9 Jan., 1908.
Separator	C. J. Reilly	23712	14 Nov. ..	2	9 Jan., 1908.
Septic tank and filter	W. M. Ross	23557	4 Oct. ..	102	28 Nov.*
Sewing-machine	J. L. Ohlson	23416	4 Sept. ..	95	31 Oct.
Shaft attachment for engines and trucks ..	W. Steele	23763	21 Nov. ..	7	23 Jan., 1908.*
Shaft mountings for centrifugal machines	L. and D. H. Burrell	22642	3 April ..	91	17 Oct.
Shearing. (See Sheep-shearing.)					
Shears, Metal-	R. N. R. Lindsay	23816	11 Dec.
Sheep, &c., Extracting grease and wool from lugs of	H. C. Becker	23654	29 Oct.
Sheep-shearing driving mechanism	P. Boll and R. Falkiner	23718	6 Aug. †
Sheep-shearing machine	J. R. Patterson	23765	27 Nov. ..	7	23 Jan., 1908.*
Sheep-shearing machine	J. Leahy	23766	27 Nov. ..	7	23 Jan., 1908.
Sheep-shearing machine-fork	T. W. Sands	23679	7 Nov. ..	2	9 Jan., 1908.*
Sheet-metal, Folding edges of	Commonwealth Manufacturing and Galvanising Company, Limited	23536	1 Oct. ..	102	28 Nov.
Sheet-metal piling	A. A. Friestedt	23603	16 Oct. ..	105	12 Dec.
Sheet-metal roofing	B. O. Roberts	23662	30 Oct. ..	2	9 Jan., 1908.
Ship's rudder	P. S. Irwin	23731	15 Nov.
Shoe. (See Boot.)					
Shoe-machine jack	United Shoe Machinery Company	23716	14 Nov. ..	2	9 Jan., 1908.*
Shoe-upper	A. H. Darcey	23611	15 Oct. ..	98	14 Nov.*
Signal-wire adjuster	J. W. Mardon and G. W. Hudson	23804	10 Dec. ..	10	6 Feb., 1908.*
Signs. (See Advertising-signs.)					
Silver. (See Gold and silver.)					
Singlet	M. J. T. R. Brown	23697	9 Nov. ..	2	9 Jan., 1908.*
Slate. (See School-slate.)					
Sluice-box	S. J. Plain	23607	17 Oct.
Soap-box	T. J. Wilson	23864	23 Dec.
Soap-manufacture	The Karsam Soap Company, Limited	23819	7 Dec.
Sodium-sulphate reduction-products manufacture	E. N. Waters	23842	19 Dec.
Sole. (See Boot-sole.)					
Solution. (See Boiler solution.)					
Sower. (See Ridger and sower.)					
Spark-arrester	A. P. Bond	23500	21 Sept. ..	95	31 Oct.*
Spark-arrester	R. Millar and H. W. Spear	23675	1 Nov. ..	105	12 Dec.*
Spectacles	H. Spear	23822	12 Dec.
Spoon	B. W. White	22327	19 Jan. ..	102	28 Nov.
Spouting-bracket	J. B. Davies	22240	21 Dec., 1906	91	17 Oct.
Spouting-bracket	W. H. Boyens	23596	16 Oct. ..	98	14 Nov.*
Sprayer. (See Lawn-sprayer.)					
Spring fastener	J. Ford	23655	26 Oct. ..	2	9 Jan., 1908.*
Sprocket and chain gearing	C. Uddstrom	23610	15 Oct. ..	2	9 Jan., 1908.
Sprocket-chain	A. Cederman	23560	5 Oct. ..	102	28 Nov.
Stack. (See Hay-stack.)					
Stamp. (See Postage-stamp.)					
Stamp, &c., vending machine	A. Parker	23632	23 Oct. ..	102	28 Nov.*
Stamp and grinding mill	The Western Mill and Machine Company	23606	17 Oct.
Standard. (See Fencing-standard.)					
Stay-brace	J. Ford	23655	26 Oct. ..	2	9 Jan., 1908.*
Stopper. (See Bottle-stopper.)					
Strainer. (See Wire-strainer.)					
Straw hat, Manufacture of	Tress and Co.	23554	3 Oct. ..	98	14 Nov.
Street-watering	F. Cooper	22296	8 Jan. ..	105	12 Dec.
Stretcher. (See Trousers-stretcher.)					
Strop. (See Razor-strop.)					
Sugar-making process	C. P. Stewart	23506	23 Sept. ..	95	31 Oct.
Sulphides, Obtaining antimony, lead, or zinc from	A. P. Gairdner	23609	17 Oct. ..	98	14 Nov.*
Sulphuric-acid manufacture	F. G. Cottrell	23518	21 Sept. ..	98	14 Nov.
Sun-blind	E. J. Gee	23652	28 Oct. ..	102	28 Nov.*
Support. (See Bucket-support.)					
Swingletree. (See Draught-equaliser.)					
Swingletree-end	A. C. Watson	23670	1 Nov. ..	7	23 Jan., 1908.*
Table. (See Draining-table.)					
Talking-machine attachment	B. F. Keating	23604	17 Oct. ..	2	9 Jan., 1908.
Talking-machine horn	C. E. Woledge	23673	2 Nov.
Tallow, Extracting, from lugs of sheep, &c.	H. C. Becker	23654	29 Oct. ..	105	12 Dec.
Tank. (See Septic tank.)					
Tap-handle	J. A. Brown	23650	25 Oct. ..	2	9 Jan., 1908.
Teat-cup. (See Milking-machine.)					
Telegram, Check cipher	H. C. Newton and A. G. M. Michell	23783	5 Aug. †
Telegraphy. (See Wireless telegraphy.)					

ALPHABETICAL LIST OF INVENTIONS—continued.

Invention.	Name.	Application.		Gazette.	
		No.	Date.	No.	Date.
Tell-tale apparatus	E. Moss	23590	15 Oct. ..	95	31 Oct.*
Temperature-detector	T. Falvey	23623	19 Oct. ..	102	28 Nov.*
Temperature-detector	R. M. Smith	23850	18 Dec. ..	10	6 Feb., 1908.
Temperature-indicator for baled goods ..	J. D. McLaurin	23569	10 Oct. ..	98	14 Nov.*
Temperature-indicator for baled goods ..	T. D. Cummins	23622	10 April ..	98	14 Nov.*
Temperature-indicator for baled goods ..	P. H. Kelly	23644	25 Oct.
Temperature-indicator for baled goods ..	C. H. Westneat	23733	18 Nov.
Temperature-indicator for baled goods ..	E. Moss and E. F. Dombain ..	23741	20 Nov. ..	7	23 Jan., 1908.*
Threshing-machine	A. F. Hadecke	23872	30 Dec.
Threshing-machine, Suction-dressing apparatus in	A. H. Anderson and H. C. Ell ..	23563	8 Oct. ..	95	31 Oct.*
Threshing-machine, Wearing-strips for concave bars of	G. Saunders	23565	8 Oct. ..	95	31 Oct.*
Ticket holder or grip	J. A. Jamieson	23594	21 Oct. ..	95	31 Oct.*
Ticket-issuing machine	A. Parker	22181	11 Dec., 1906	102	28 Nov.
Tie-frame	A. A. George	23533	14 Oct.
Tie-holder and collar-adjuster	E. M. Molyneux	23645	22 Oct.
Tile. (See Roofing-tile.)					
Tile and briquette manufacture	J. Black and W. L. W. Blair ..	23581	12 Oct.
Time-indicator for pillar-box	H. W. Earp-Thomas	23689	7 Nov. ..	105	12 Dec.*
Tins, Securing lids of	R. M. Baddeley	23676	21 Nov. ..	105	12 Dec.
Tire	J. Thomson	23774	27 Nov. ..	7	23 Jan., 1908.*
Tire-cover	R. A. Bayliffe	23649	28 Oct.
Tire cushion and tread	J. Brown	23635	24 Oct. ..	105	12 Dec.*
Tire-protector	D. W. McLean	23631	22 Oct. ..	102	28 Nov.*
Tire-protector	G. Norris	23833	16 Dec.
Tiring-furnace, Portable	H. Mander and W. E. Chamberlain	22276	7 Jan. ..	102	28 Nov.
Tobacco-box guard	A. S. Ford	23796	6 Dec.
Tobacco-leaves, Decolouring	L. L. J. Parant and A. P. Pichon	23573	10 Oct. ..	102	28 Nov.
Toe-strap for cycles	C. W. Gordon	23682	6 Nov. ..	2	9 Jan., 1908.*
Tomato-drying	S. A. Bradley	23856	23 Dec.
Totalisator	M. Donaldson and W. G. Williams	22909	29 May ..	95	31 Oct.*
Traffic-signal flag	J. Slater	23775	2 Dec. ..	7	23 Jan., 1908.
Tramway-point shifter	O. Coates	23469	13 Sept. ..	2	9 Jan., 1908.
Tramway-rail cleaner	H. Quertier	22287	3 Jan. ..	91	17 Oct.
Tramway-track cleaner	H. Quertier	22134	29 Nov., 1906	91	17 Oct.
Transmitter. (See Wireless telegraphy.)					
Trap. (See Animal-trap, Grease-trap, Rabbit-trap.)					
Trap-nest	J. Hope	23870	30 Dec.
Tree. (See Saddle-tree.)					
Trolley-head	P. Rafferty	23545	3 Oct. ..	91	17 Oct.
Trolley-head	J. Houston	23734	18 Nov. ..	7	23 Jan., 1908.*
Trolley-head	A. W. Beere	23750	21 Nov.
Trolley-pole	G. S. Thomson	23549	30 Sept. ..	98	14 Nov.
Trolley-pole retriever	P. O. von Hartitzsch	23592	15 Oct. ..	95	31 Oct.*
Trolley-pole retriever	P. O. von Hartitzsch	23847	20 Dec. ..	10	6 Feb., 1908.*
Trolley-pole sleeve-protector	D. Amos	23692	7 Nov. ..	105	12 Dec.*
Trotting-horse, Preventing, breaking into a gallop	W. H. Triggs and W. H. Denton	23494	20 Sept. ..	95	31 Oct.*
Trousers-leg-bottom protector	J. Ehrman	23696	6 Nov.
Trousers-stretcher	L. A. H. Longuet	23556	2 Oct. ..	98	14 Nov.
Trunk and hat-box	A. E. Taylor	23736	18 Nov.
Tumbler-washing apparatus	J. Dixon and J. C. F. Lawrence	23722	13 Nov.
Turbine	J. E. and E. P. Friend	23838	18 Dec. ..	10	6 Feb., 1908.*
Turbine. (See Gas-turbine.)					
Type composing and distributing machine	J. T. Hunter	23837	18 Dec. ..	10	6 Feb., 1908.
Typewriter	Parker Machine Company	23747	21 Nov. ..	7	23 Jan., 1908.
Typographical composing-machine	W. E. Hughes	23748	21 Nov. ..	7	23 Jan., 1908.
Vacuum-insulated bottle and casing ..	G. P. Van Wye	23761	26 Nov. ..	7	23 Jan., 1908.*
Vacuum-pump	G. F. Hutchinson	22408	8 Feb. ..	2	9 Jan., 1908.
Valve. (See Internal-combustion engine.)					
Vaporiser. (See Oil-vaporiser.)					
Variable-speed pulley	A. F. Golding and E. Campbell ..	22105	24 Nov., 1906	102	28 Nov.
Vehicle. (See Motor-vehicle, Road-vehicle.)					
Vehicle, Preventing, going backwards ..	A. Warren	23593	15 Oct.
Vehicle-wheel	F. Bottrill	22696	17 April ..	98	14 Nov.
Vehicle-wheel, Spring catch for securing chain to	T. Morris	23612	14 Oct. ..	98	14 Nov.*
Vending-machine. (See Stamp, &c., vending-machine.)					
Venetian blind	E. C. Carter	23620	18 Oct. ..	98	14 Nov.*
Ventilating-cover for drains, &c. ..	J. Smart	22322	17 Jan. ..	105	12 Dec.
Ventilator	J. H. Beamish	23648	20 Dec.
Ventilator. (See Railway-carriage.)					
Vessel. (See Cooking-vessel.)					
Vote-recorder	A. E. Moss	23646	24 Oct. ..	102	28 Nov.*
Wagon. (See Railway tipping-wagon.)					
Wall-construction, Metal and concrete ..	C. Rosegger	23724	13 Nov.

ALPHABETICAL LIST OF INVENTIONS—*continued.*

Invention.	Name.	Application.		Gazette.	
		No.	Date.	No.	Date.
Washing apparatus. (See Tumbler-washing.)					
Washing-board	R. H. Johnson	23803	7 Dec. ..	10	6 Feb., 1908.*
Washing-boiler	A. H. Wood	23587	10 Oct. ..	95	31 Oct.*
Washing-boiler, Draining attachment to	J. H. McMahon	23562	5 Oct. ..	95	31 Oct.
Washing-machine	T. Firth	23773	29 Nov.
Washing-machine and churn	J. T. Stewart	23580	11 Oct.
Water-closet	J. J. Blockley	23392	30 Aug. ..	95	31 Oct.
Waterproof solution	C. Tattersfield	23695	4 Nov. ..	102	28 Nov.
Water-spray. (See Rock-drilling.)					
Water-sprayer	G. C. Munns	23768	27 Nov. ..	2	9 Jan., 1908.*
Weed-exterminator. (See Willow and noxious-weed exterminator.)					
Wheel. (See Chaff-cutter wheel, Motor-vehicle wheel, Resilient wheel, Rolling-stock wheel, Vehicle-wheel.)					
Wheel-barrow wheel	A. H. Wood	23578	8 Oct. ..	95	31 Oct.*
Willow and noxious-weed exterminator..	C. North	23746	21 Nov.
Winder. (See Wool-winder.)					
Window. (See also Sash.)					
Window-balance. (See Balanced door or window.)					
Window-sash hanging	C. T. Williams	23868	23 Dec.
Window-sash lifter and lock	T. E. Carter	22882	20 May ..	2	9 Jan., 1908.
Window weather-stop	W. T. Johnson	23854	23 Dec.
Wire. (See Fencing-wire.)					
Wire, Running out barbed	L. N. Ralph	23759	25 Nov.
Wireless telegraphy	E. Bellini and A. Tosi	23661	30 Oct. ..	2	9 Jan., 1908.
Wireless-telegraphy transmitter	Marconi's Wireless Telegraphy Company, Limited	23681	2 Nov. ..	2	9 Jan., 1908.
Wire-strainer	H. S. Searle	23331	15 Aug. ..	95	31 Oct.
Wire-strainer	J. A. Murchison	23671	29 Oct. ..	105	12 Dec.*
Wire-strainer	R. H. Johnson	23792	3 Dec.
Wires. (See Overhead wires.)					
Wool-bales, Hoisting and stacking ..	P. R. Hughes	23667	31 Oct. ..	2	9 Jan., 1908*.
Wool-bales, Introducing certificates, &c., into	J. D. McLaurin	23569	10 Oct. ..	98	14 Nov.*
Wool-fibre, Drying and bleaching ..	C. C. H. Gibbons and M. J. Connor	23568	7 Oct.
Wool-press	A. H. Byron and T. M. Scott ..	23476	16 Sept. ..	105	12 Dec.
Wool-winder	W. J. L. Morton	23781	4 Dec.
Zinc, lead, and antimony, Obtaining, from their sulphides	A. P. Gairdner	23609	17 Oct. ..	98	14 Nov.*
Zinc-lead ore, Treating	P. C. C. Isherwood	23107	19 July, 1906†	105	12 Dec.
Zinc-oxide production	W. and H. Simm	23752	22 Nov. ..	7	23 Jan., 1908.

List of Applicants for Registration of Trade Marks.

ALPHABETICAL list of applicants for registration of trade marks for quarter ending 31st December, 1907 (including also applications lodged prior to but gazetted during the quarter).

† Denotes an application under section 106 of the Act.

ALPHABETICAL LIST OF APPLICANTS FOR REGISTRATION OF TRADE MARKS.

Name.	Address.	Class.	Application.		Gazette.	
			No.	Date.	No.	Date.
Adams, J. H.	Auckland, N.Z.	6	6963	4 Oct.
Aktiebolaget Baltic Separator	Stockholm, Sweden	7	6504	21 Feb. ..	95	31 Oct.
Aktieselskabet Bakteriologisk Laboratorium, Ratin	Copenhagen, Denmark	2	7018	13 Nov. ..	102	28 Nov.
Albion Motor-car Company, Limited	Glasgow, Scotland	22	6958	2 Oct. ..	2	9 Jan., 1908.
Alcorn, C. G.	Christchurch, N.Z.	3	7042	22 Nov. ..	105	12 Dec.
Ambury, L. J.	Raupo, N.Z.	37	6969	12 Oct. ..	102	28 Nov.
Ardath Tobacco Company. (See A. Levy.)						
Atkins Bros.	Hinckley, Eng.	38	6673	22 May ..	102	28 Nov.
Auckland Butter Company. (See Pearson and Rutter, Limited.)						
August, C. L.	Christchurch, N.Z.	47	6972	15 Oct. ..	91	17 Oct.
Baldwins, Limited	Wilden, Eng.	5	6650, 1	16 May ..	91	17 Oct.
Baldwins, Limited	Wilden, Eng.	5	6652	16 May ..	95	31 Oct.
Barnes and Hille	Philadelphia, U.S.A.	3	7060	11 Dec. ..	2	9 Jan., 1908.

ALPHABETICAL LIST OF APPLICANTS FOR REGISTRATION OF TRADE MARKS—continued.

Name.	Address.	Class.	Application.		Gazette.	
			No.	Date.	No.	Date.
Barry, D. J.	Gisborne, N. Z.	43	6954 1/2	11 Oct.
Becker, H.	London, Eng.	47	6788 1/2	15 March	91	17 Oct.
Bennett and Wood, Limited	Sydney, N.S.W.	22	7045	26 Nov.	2	9 Jan., 1908.
Bennett and Wood, Limited	Sydney, N.S.W.	40	7046, 7	26 Nov.	2	9 Jan., 1908.
Billion, H. E.	Christchurch, N.Z.	50	7079	20 Dec.
Birmingham Small Arms Company, Limited	Birmingham, Eng.	6, 19, 22	7037-39,	21 Nov.	102	28 Nov.
Blumenthal, A.	Hamburg, Ger.	1	7051	27 Nov.	105	12 Dec.
Borden's Condensed Milk Company, Limited	New York, U.S.A.	42	7007	1 Nov.	102	28 Nov.
Brimsdown Lead Company, Limited	London, Eng.	1	6961	3 Oct.	91	17 Oct.
Brodziak, A. M., and Co. (See S. L. Lazarus.)
Brooks, H., and Co.	London, Eng.	1, 4	7055, 6	4 Dec.	105	12 Dec.
Brooks, L. J.	Auckland, N.Z.	18	7080	23 Dec.	2	9 Jan., 1908.
Browne and Morrison	Christchurch, N.Z.	39	7025	14 Nov.	2	9 Jan., 1908.
Bryant and May, Limited	London, Eng.	47	7049	26 Nov.	105	12 Dec.
Bursill, F. W.	Seddon, N.Z.	13	6979	24 Oct.	95	31 Oct.
Burt, T.	Lower Hutt, N.Z.	42	6978	23 Oct.
Cadbury Bros., Limited	Bournville, Eng.	42	7021	13 Nov.	102	28 Nov.
Cammell, Laird, and Co., Limited	Sheffield, Eng.	6	6794	10 July	98	14 Nov.
Canada Cycle and Motor Company, Limited	Toronto, Canada	22	7083	31 Dec.	7	23 Jan., 1908.
Cardiatone Proprietary	Hobart, Tasmania	3	7027	13 Nov.	102	28 Nov.
Carson, A. A.	Palmerston North, N.Z.	42	6980	24 Oct.	98	14 Nov.
Chapman, H. Z.	Bluff, N.Z.	42	6964	7 Oct.	91	17 Oct.
Chapman, J., and Co.	Norwich, Eng.	3	7015	7 Nov.
Coleman and Co., Limited	Norwich, Eng.	3, 43	6995, 6	30 Oct.	98	14 Nov.
Columbia Phonograph Company, General	New York, U.S.A.	8	7069	13 Dec.	2	9 Jan., 1908.
Cooke, J., and Co.	Melbourne, Vic.	42	7004	31 Oct.	2	9 Jan., 1908.
Crown Chemical Works. (See C. L. August.)
Davies, G.	Christchurch, N.Z.	38	7057	5 Dec.	2	9 Jan., 1908.
Davis Bros., Limited	London, Eng.	42	6974	16 Oct.	95	31 Oct.
De Roubaix Oedenkoven and Co.	Antwerp, Belgium	47	6998, 9	30 Oct.	98	14 Nov.
Diekson, J. S.	Auckland, N.Z.	38	7068	13 Dec.	2	9 Jan., 1908.
Distillers' Company, Limited	Edinburgh, Scot.	43	6957	2 Oct.	91	17 Oct.
Draffin, W. F.	Wanganui, N.Z.	6	6971	16 Oct.
Ellis and Mantou	Wellington, N.Z.	42	6994	29 Oct.	98	14 Nov.
Exshaw, J., and Co.	Bordeaux, France	43	7062	11 Dec.	2	9 Jan., 1908.
Eyre Smelting Company, Limited (1907)	Tunbridge, Eng.	5	7028	14 Nov.	102	28 Nov.
Fabrik Wasserdichter Wasche Lenel Bensinger and Co. (See H. Becker.)	Mannheim-Neckarau, Germany	38	6965	10 Oct.	95	31 Oct.
Goodacre, H.	New Plymouth, N.Z.	38	6966	1 Nov.	98	14 Nov.
Graham, Wilson, and Smellie	Christchurch, N.Z.	38	7003	30 Oct.	98	14 Nov.
Grear, H. and W.	Sydney, N.S.W.	3	7058	9 Dec.	105	12 Dec.
Greer, F. S.	Sydney, N.S.W.	7	7054	4 Dec.	105	12 Dec.
Groube, H. M.	Wellington, N.Z.	3	7050	27 Nov.	105	12 Dec.
Hamlett, G., and Sons, Limited	Winsford, Eng.	42	7017	8 Nov.	105	12 Dec.
Harrison, J., and Sons	Whangarei, N.Z.	42	7009	5 Nov.
Henderson's Sweets, Limited	Sydney, N.S.W.	42	7031	14 Nov.	102	28 Nov.
Hoyt, A. S.	New York, U.S.A.	39	7063	11 Dec.	2	9 Jan., 1908.
Hulbert, H. R.	Brighton, Eng.	3	7061	11 Dec.	2	9 Jan., 1908.
International Sponge Importers, Limited	London, Eng.	25	7071	18 Dec.	2	9 Jan., 1908.
Jameson and Co., Limited	Kingston-upon-Hull, Eng.	50	7000	30 Oct.	98	14 Nov.
Johnson-Richardson Company, Limited	Montreal, Canada	1	7067	12 Dec.
Johnson, W. E.	Liverpool, Eng.	43	7013	7 Nov.	98	14 Nov.
Johnson, W. E., and Co. (See W. E. Johnson.)
Jonas and Colver, Limited	Sheffield, Eng.	5, 6	6984, 5	28 Oct.	98	14 Nov.
Jonas and Colver, Limited	Sheffield, Eng.	12, 13	6986, 7	28 Oct.	98	14 Nov.
Jonas and Colver, Limited	Sheffield, Eng.	5, 6	6988, 9	28 Oct.	98	14 Nov.
Jonas and Colver, Limited	Sheffield, Eng.	12, 13	6990, 1	28 Oct.	98	14 Nov.
Klinger, R.	Gumpoldskirihen, Austria	8	6973	16 Oct.
Koko-Maricopas Company, Limited	London, Eng.	48	7053	4 Dec.	105	12 Dec.
Koninklijke Stearine Kaarsenfabriek Gouda	Gouda, Holland	47	7005	31 Oct.	2	9 Jan., 1908.
Konomax Rock Drill Syndicate, Limited	Johannesburg, Transvaal	6	7064	12 Dec.	2	9 Jan., 1908.

ALPHABETICAL LIST OF APPLICANTS FOR REGISTRATION OF TRADE MARKS—continued.

Name.	Address.	Class.	Application.		Gazette.	
			No.	Date.	No.	Date.
Larus and Bro. Company ..	Richmond, U.S.A. ..	45	7033	14 Nov. ..	105	12 Dec.
Lazarus, S. L. ..	Suva, Fiji ..	42	7059	11 Dec.
Lee, G. M. ..	Invercargill, N.Z. ..	47	7082	31 Dec. ..	10	6 Feb., 1908.
Lever Bros., Limited ..	Balmain, N.S.W. ..	47	7072, 4	19 Dec. ..	2	9 Jan., 1908.
Lever Bros., Limited ..	Balmain, N.S.W. ..	48	7073, 5	19 Dec. ..	2	9 Jan., 1908.
Levy, A. ..	London, Eng. ..	45	7077, 8	20 Dec. ..	2	9 Jan., 1908.
Lincoln and Midland Counties Drug Company	Lincoln, Eng. ..	3	7030	14 Nov. ..	2	9 Jan., 1908.
Lipton, Limited ..	London, Eng. ..	42	6471	13 Feb. ..	102	28 Nov.
Lyons, J., and Co., Limited	London, Eng. ..	43	7001	30 Oct. ..	98	14 Nov.
Maitland, G. ..	Glasgow, Scot. ..	50	7044	26 Nov. ..	102	28 Nov.
Marks, M. ..	Fitzroy, Vic. ..	38	7012	6 Nov. ..	105	12 Dec.
Melachrin, M., and Co. ..	Cairo, Egypt ..	45	7032	14 Nov. ..	105	12 Dec.
Methven, G., and Co. ..	Dunedin, N.Z. ..	18	6992	28 Oct.
Meux's Brewery Company, Limited..	London, Eng. ..	43	6997	30 Oct. ..	98	14 Nov.
Montgomerie, J. J. ..	Wellington, N.Z. ..	48	7010	5 Nov. ..	105	12 Dec.
Murray, Roberts, and Co. ..	Wellington, N.Z. ..	2	7036	20 Nov. ..	2	9 Jan., 1908.
Myers, A., and another ..	Wellington, N.Z. ..	50	6887	26 Aug. ..	105	12 Dec.
Naamlooze Vennootschap Amsterdamsche Superfosfaatfabriek	Amsterdam, Netherlands	2	7002	30 Oct. ..	98	14 Nov.
Neale, J., and Sons, Limited ..	Birmingham, Eng. ..	13	7040	21 Nov. ..	102	28 Nov.
Nederlandsche Gist-en Spiritusfabriek	Delft, Netherlands ..	43	7023	13 Nov. ..	102	28 Nov.
New Zealand Hardware Company ..	Dunedin, N.Z. ..	13	7008	1 Nov. ..	102	28 Nov.
North, C. ..	Te Awamutu, N.Z. ..	2	7052	3 Dec. ..	105	12 Dec.
Northern Wholesale Supply Depot. (See L. T. Williams.)						
Noton Bros. ..	Auckland, N.Z. ..	42	6875	16 Aug. ..	95	31 Oct.
Pearson and Rutter, Limited ..	Wellington, N.Z. ..	42	7026	14 Nov. ..	105	12 Dec.
Powley and Keast ..	Dunedin, N.Z. ..	44	7034	18 Nov. ..	7	23 Jan., 1908.
Rogers, L. H. and another	Wellington, N.Z. ..	50	6887	26 Aug. ..	105	12 Dec.
Roope Company. (See Roope, L. G.)						
Roope, L. G. ..	Invercargill, N.Z. ..	44	6977	21 Oct.
Roubaix. (See De Roubaix.)						
Scholtz, C. ..	Hamburg, Ger. ..	25	7029	14 Nov. ..	102	28 Nov.
Shacklock, H. E., Limited ..	Dunedin, N.Z. ..	18	6968	7 Oct.
Shrimski, A. E. ..	Auckland, N.Z. ..	3	6962	4 Oct. ..	95	31 Oct.
Sigall, S. ..	Wellington, N.Z. ..	45	7011	5 Nov. ..	98	14 Nov.
Sims, Cooper, and Co. ..	Christchurch, N.Z. ..	42	7081	30 Dec. ..	2	9 Jan., 1908.
Sinclair, O.W. H. ..	Auckland, N.Z. ..	2	6970	15 Oct.
Smith and White ..	Auckland, N.Z. ..	18	6956	1 Oct.
Smith, S. ..	Christchurch, N.Z. ..	38	6982	25 Oct. ..	98	14 Nov.
Solo, Limited ..	Bradford, Eng. ..	50	7022	13 Nov. ..	102	28 Nov.
Sorenson, R. ..	Hastings, N.Z. ..	22	6983	26 Oct. ..	98	14 Nov.
Sorenson, R. ..	Hastings, N.Z. ..	22	7024	14 Nov.
Standard Varnish Works ..	New York, U.S.A. ..	1	5933	8 May, 1906	98	14 Nov.
Stearine Kaarsenfabriek Gouda ..	Gouda, Holland ..	47	6674	22 May ..	105	12 Dec.
Stella Cycle and Motor Manufacturing and General Importing Company, Limited	Temuka, N.Z. ..	22	6993	29 Oct.
Stevens, H. F. ..	Christchurch, N.Z. ..	48	6981	24 Oct. ..	95	31 Oct.
Stitt, M. A. ..	Westport, N.Z. ..	3	7043	25 Nov. ..	102	28 Nov.
Sykes, W. R., Interlocking Signal Company, Limited	London, Eng. ..	6	7048	26 Nov. ..	105	12 Dec.
Tanqueray, Gordon, and Co., Limited	London, Eng. ..	43	7066	12 Dec. ..	2	9 Jan., 1908.
Thomas, R., and Co., Limited ..	London, Eng. ..	5	6952, 3	1 Oct. ..	88	3 Oct.
Thomas, R., and Co., Limited ..	London, Eng. ..	5	6951	1 Oct. ..	7	23 Jan., 1908.
Thomson, G. S. ..	Dunedin, N.Z. ..	39	6967	7 Oct.
Trapnell, G. ..	Brightwater, N.Z. ..	42	7070	13 Dec. ..	7	23 Jan., 1908.
Turner, J., and Co. ..	Auckland, N.Z. ..	38	7035	19 Nov. ..	102	28 Nov.
United Asbestos Company, Limited	London, Eng. ..	50	6975	17 Oct.
United Asbestos Company, Limited	London, Eng. ..	50	6976	17 Oct. ..	95	31 Oct.
Walker, C. J. ..	North Fitzroy, Vic. ..	37, 38	7019, 20	13 Nov.
Weingarten Bros. ..	New York, U.S.A. ..	38	7065	12 Dec. ..	7	23 Jan., 1908.
Whangarei Co-operative Dairy Company, Limited	Whangarei, N.Z. ..	42	6946	23 Sep. ..	102	28 Nov.
White, A. J., Limited ..	London, Eng., and New York, U.S.A.	3	6959, 60	3 Oct. ..	10	6 Feb., 1908*
Whittome, Stevenson, and Co., Limited	Auckland, N.Z. ..	42	7041	22 Nov. ..	102	28 Nov.
Williams, L. T. ..	Auckland, N.Z. ..	47	7016	8 Nov. ..	102	28 Nov.
Wilson and Co. ..	Glasgow, Scot. ..	24	6955	1 Oct. ..	91	17 Oct.
Wilson Pill Company, Limited	Wanganui, N.Z. ..	3	7006	1 Nov. ..	105	12 Dec.
Winson, G. E. ..	Auckland, N.Z. ..	42	6934	16 Sept. ..	95	31 Oct.
Winterbottom Book-cloth Company, Limited	Manchester, Eng. ..	39	7014	7 Nov. ..	98	14 Nov.
Woodward, E. C. ..	Dunedin, N.Z. ..	3	7076	20 Dec.

List of Applicants for Registration of Designs.

A LPHABETICAL list of applicants for registration of designs for quarter ending 31st December, 1907.

Name.	Address.	Class.	Application.		Gazette.	
			No.	Date.	No.	Date.
Auckland Grammar School ..	Auckland, N.Z. ..	13	353	16 Oct. ..	102	28 Nov.
Berridge, H. S.	Waikiekie, N.Z. ..	3	369	30 Dec. ..	7	23 Jan., 1908.
Brooke, C. M., and Sons ..	Christchurch, N.Z. ..	4	352	1 Nov. ..	98	14 Nov.
Brooks, L. J.	Auckland, N.Z. ..	3	368	18 Dec. ..	2	9 Jan., 1908.
Carrara Ceiling Company, Limited ..	Wellington, N.Z. ..	3	354	14 Nov. ..	102	28 Nov.
Carrara Ceiling Company, Limited ..	Wellington, N.Z. ..	3	355	18 Nov. ..	102	28 Nov.
Carrara Ceiling Company, Limited ..	Wellington, N.Z. ..	3	356-7	25 Nov. ..	10	6 Feb., 1908.
Carrara Ceiling Company, Limited ..	Wellington, N.Z. ..	3	358-363	28 Nov. ..	105	12 Dec.
Carrara Ceiling Company, Limited ..	Wellington, N.Z. ..	3	367	13 Dec. ..	2	9 Jan., 1908.
Cousins and Atkin Carriage Factory, Limited	Auckland, N.Z. ..	3	364	27 Nov. ..	105	12 Dec.
James, M. W.	Kalgoorlie, W. Aust. ..	2	373	4 Dec. ..	10	6 Feb., 1908.
Mehrtens, H. E.	Christchurch, N.Z. ..	1	351	28 Oct. ..	95	31 Oct.
Mehrtens, H. E.	Christchurch, N.Z. ..	1	366	21 Nov. ..	105	12 Dec.
Smith and White	Auckland, N.Z. ..	1	365	28 Nov. ..	105	12 Dec.

By Authority: JOHN MACKAY, Government Printer, Wellington.—1908.